

# KUBOTA

## EXCAVATORS

### WHOLEGOODS PRICE LIST EFFECTIVE March 6, 2019

These pages are a complete revision of this  
section of your price book.  
All prices are effective March 1, 2019

New K9798 Hydraulic Case Drain kit for KX080-4s  
Pictures added for select Quick Attach buckets supplied by Land Pride

Page 57  
Page 59-66

# KUBOTA

---

This page intentionally left blank.

# KUBOTA

Page Number	Model	Basic Unit	Dig Depth	Factory #	Appx WT	SLP
15-5	<b>K008T4</b>	ROPS	5'8"	K17K330A28	2030	\$22,803.00
15-7	<b>U17VR1</b>	ROPS	7'7"	K22K559A84	3814	\$29,684.00
15-10	<b>KX018-4R1</b>	ROPS	7'9"	K24K313A92	3967	\$31,992.00
15-13	<b>U27-4R1</b>	ROPS	9'5"	K28K125A32	7319	\$37,007.00
15-16	<b>KX71-3S4R1</b>	ROPS	9'9"	K30K531A48	6550	\$40,173.00
15-22	<b>KX033-4R1</b>	ROPS/straight	10'6"	K35K008A64	9370	\$46,064.00
15-28	<b>U35-4R1</b>	ROPS/straight	9'9"	K34K545A04	8478	\$45,454.00
15-32	<b>KX040-4R1</b>	ROPS/straight	11'2"	K40K957A92	9370	\$53,892.00
15-40	<b>U55-4R1</b>	ROPS/straight	11'10"	K50K343A92	12535	\$66,242.00
15-46	<b>KX057-4R1</b>	ROPS/straight	12'8"	K53K691A72	12820	\$70,647.00
15-52	<b>KX080-4SR3</b>	Cab/straight	15'1"	K81K719A76	19026	\$107,526.00
15-61	Excavator Replacement Engines					
15-59	<a href="#">Popular Quick Attach Bucket Pictures</a>					

# KUBOTA

---

This page intentionally left blank.

# KUBOTA

## K Series K008-3T4

### K008-3T4

#### Hydraulic Excavator

#### FEATURES

Rubber Tracks  
 2-Post Foldable ROPS  
 Variable Width Track Frame  
 2 Gear Type Pumps  
 Two Operating Pattern Selection System  
 Standard Front Dozer Blade  
 360 Degree Full Rotation  
 55° Left and 60° Right Boom Swing Angle  
 5.5 GPM Auxiliary Hydraulics Port  
 Five Second Quick Preheat System  
 Key Switch Stop System  
 Self Bleed Fuel System  
 Two Speed Travel

#### BASIC UNIT

K008-3T4, Rubber tracks, 2-Post Foldable ROPS

#### DIMENSIONS AND OPERATING WEIGHT

K008-3T4 with K9776 Bucket	
Overall Length	9' 0"
Overall Width	2'4" ~ 2'10"
Overall Height	7'4"
Operating Weight*	2200 lbs.
Ground Clearance	5.9"

\*Includes operator's weight of 175 lbs.

#### ENGINE

D722 Kubota E-TVCS Tier 4 Final Diesel Engine  
 3 Cylinder, 4 Cycle  
 10.3 Gross HP (SAE J1995) @ 2050 RPM  
 10.1 Net HP (SAE J1349) @ 2050 RPM

#### OPERATIONAL DIMENSIONS

Max Digging Depth	5' 8"
Max Digging Radius @ Ground Level	9' 11"
Max Vertical Digging Depth	4' 6"
Max Dumping Height	6' 8"

#### DOZER BLADE DIMENSIONS

Width	28"/34"
Height	7.9"
Lift Above Ground	7.9"
Drop Below Ground	7.1"

#### PERFORMANCE

Digging Force @ Bucket (K9776)	2200 lbs.
Digging Force @ Dipper Arm	1010 lbs.
Travel Speed (Low/High)	1.2/2.5 mph
Climbing Ability	27% / 15°
Ground Pressure	3.5 psi
Lift Capacity	660 lbs.
• Over End	
• Blade Grounded	
• 2 Ft. Load Point Height	
• 6 Ft. Load Radius	

# KUBOTA

## K Series K008-3T4

ORDER CODE	DESCRIPTION	FACTORY NUMBER	APPROX. SHIP WT.	SUGGESTED LIST PRICE
<b>PART 1</b>	<b>MODEL K008T4 BASIC UNIT</b>			
<b>K008T4</b>	<b>Excavator Basic Unit</b>	K17K330A28	2030	\$22,803.00
	With: Rubber Tracks, 2-Post Foldable ROPS, Dozer Blade, Dipper Arm, and Counterweight			
<b>PART 2</b>	<b>BUCKETS</b>			
K9775	10 inch 0.49 cu. ft. Bucket (Welded teeth)	K275A88	36	\$363.00
K9776	14 inch 0.74 cu. ft. Bucket (Welded teeth)	K333A64	44	\$439.00
K7759	8 inch 0.35 cu. ft. H.D. Bucket (Bolt-on teeth)	K443A08	45	\$583.00
K7760	10 inch 0.49 cu. ft. H.D. Bucket (Bolt-on teeth)	K449A92	57	\$592.00
K7768	12 inch 0.63 cu. ft. H.D. Bucket (Bolt-on teeth)	K461A32	53	\$607.00
K7769	16 inch 0.9 cu. ft. H.D. Bucket (Bolt-on teeth)	K514A52	70	\$677.00
<b>PART 3</b>	<b>ATTACHMENTS</b>			
K7748	Two Way Service Port Hydraulic Kit The K7748 converts the auxiliary hydraulics from one way to two way flow. Includes manual, hydraulic hoses, and fittings	K228A76	6	\$301.00
K9797	3" seat belt option As required in some states for OSHA compliance.	K60A80	3	\$80.00
K7802	Spark Arrestor Muffler Kit Optional kit for use in close proximity with grass, brush, timber and similar material with potential for ignition. Requires K7812 Spark Arrestor Screen	K95A00	7	\$125.00
K7812	Spark Arrestor Screen Required for K7802 installation.	K15A96	4	\$21.00
<b>PART 4</b>	<b>ROPS / OPG (Top Guard, Level I)</b>			
K7787	Replacement 2-Post Foldable ROPS	K602A68	154	\$793.00

# KUBOTA

## K Series U17VR1

### U17VR1

#### Zero Tail Swing Hydraulic Excavator

#### FEATURES

Zero Tail Swing  
 Short Pitch Rubber Tracks  
 ROPS/OPG (Top Guard, Level 1) 4 Post Canopy  
 Variable Width Track Frame  
 Kubota 3 Hydraulic Pump Design  
 1 Gear, 2 Variable Displacement Pumps  
 Hydraulic Joystick Controls with Wrist Rests  
 Two Operating Pattern Selection System  
 Standard Front Dozer Blade with Extensions  
 360 Degree Full Rotation  
 65° Left and 58° Right Boom Swing Angle  
 7.3 GPM Auxiliary Hydraulics Port  
 Five Second Quick Preheat System  
 Key Switch Stop System  
 Self Bleed Fuel System  
 Two Speed Travel

#### BASIC UNIT

U17VR1, Rubber tracks, 4-Post ROPS/OPG  
 (Top Guard, Level 1)

#### DIMENSIONS AND OPERATING WEIGHT

U17VR1, Rubber tracks, 4-Post ROPS/OPG  
 (Top Guard, Level 1)

Overall Length	11' 7"
Overall Width	3'3" ~ 4'1"
Overall Height	7'8"
Operating Weight*	3703 lbs.
Ground Clearance	5.9"

\*Includes operator's weight of 175 lbs.

#### ENGINE

D902 Kubota E-TVCS Tier 4 Final Diesel Engine  
 3 Cylinder, 4 Cycle  
 16.1 Gross HP (SAE J1995) @ 2300 RPM  
 15.1 Net HP (SAE J1349) @ 2300 RPM

#### OPERATIONAL DIMENSIONS

Max Digging Depth	7' 7"
Max Digging Radius @ Ground Level	12' 7"
Max Vertical Digging Depth	6' 3"
Max Dumping Height	8' 0"

#### DOZER BLADE DIMENSIONS

Width	3'3"/4'1"
Height	10.3"
Lift Above Ground	11.0"
Drop Below Ground	7.5"

#### PERFORMANCE

Digging Force @ Bucket (K7970)	3417 lbs.
Digging Force @ Dipper Arm	1918 lbs.
Travel Speed (Low/High)	1.4/2.6 mph
Climbing Ability	36% / 20°
Ground Pressure	3.8 psi
Lift Capacity	1140 lbs.

- Over End
- Blade Grounded
- 2 Ft. Load Point Height
- 8 Ft. Load Radius

# KUBOTA

## K Series U17VR1

### HOW TO SELECT A U17VR1 EXCAVATOR (Sample Order Information Page)

Below is an example of a complete U17VR1 order. To submit your order, please select the Basic Unit Model that you desire from Part 1. Then select the attachments from Parts 2 and 3 needed to complete your order.

STEP 1)	Select from Part 1 the Basic Unit that fits your needs. For example, choose a U17VR1 and get: Base Model, rubber tracks, 4-post ROPS/OPG (Top Guard, Level I) canopy, dozer blade, dipper arm and counterweight.
STEP 2)	Select from Parts 2 and 3 the attachments necessary to make the unit a complete machine. Choose buckets and quick couplers or hydraulic breaker.

(SAMPLE ORDER)

ORDER CODE	DESCRIPTION	FACTORY NUMBER	APPROX. SHIP WT.	SUGGESTED LIST PRICE
<b>STANDARD UNIT U17VR1 COMPLETE ORDER AND PRICE</b>				
<b>BASIC UNIT:</b>				
U17VR1	<b>EXCAVATOR WITH:</b> Rubber Tracks 4-Post ROPS/OPG (Top Guard, Level I) Canopy Dozer Blade Dipper arm Counterweight	K22K559A84	3814	\$29,684.00
<b>ATTACHMENTS:</b>				
K7966A	Quick Coupler	K614A84	20	\$809.00
K7970A	18" 1.5 cu. ft. Trenching Bucket	K519A08	115	\$683.00
				\$31,176.00



# KUBOTA

## K Series U17VR1

ORDER CODE	DESCRIPTION	FACTORY NUMBER	APPROX. SHIP WT.	SUGGESTED LIST PRICE
<b>PART 1</b>	<b>MODEL U17 BASIC UNITS</b>			
<b>U17VR1</b>	<b>Excavator Basic Unit</b>	K22K559A84	3814	\$29,684.00
	With: Rubber Tracks, 4-Post ROPS/OPG (Top Guard, Level I) Canopy, Dozer Blade, Dipper Arm, Counterweight			
<b>PART 2</b>	<b>BUCKETS</b>			
	<b>PIN-ON BUCKETS</b>			
K7779A	9 inch 0.52 cu. ft. 2-Hole H. D. Bucket	K523A64	57	\$689.00
K7780A	12 inch 0.74 cu. ft. 2-Hole H. D. Bucket	K540A36	82	\$711.00
K7781	16 inch 0.95 cu. ft. 2-Hole H. D. Bucket	K596A60	94	\$785.00
K7785	18 inch 1.1 cu. ft. 2-Hole H. D. Bucket	K741A00	95	\$975.00
	<b>QUICK ATTACH BUCKETS</b>			
K7966A	Quick Coupler Includes two mounting pins, 1 locking pin, and hardware.	K601A92	20	\$792.00
K7967A	9 inch 0.78 cu. ft. Trenching Bucket	K324A52	86	\$427.00
K7968A	12 inch 1.0 cu. ft. Trenching Bucket	K418A76	92	\$551.00
K7969A	16 inch 1.3 cu. ft. Trenching Bucket	K417A24	108	\$549.00
K7970A	18 inch 1.5 cu. ft. Trenching Bucket	K519A08	115	\$683.00
K9607	Bucket Hangers Set of two ear blanks. Converts buckets to quick coupler style. Modification to match bucket contour required.	K194A56	12	\$256.00
<b>PART 3</b>	<b>ATTACHMENTS</b>			
K9919	Canopy Work Light Kit	K98A80	4	\$130.00
K9773	Travel Alarm Kit Emits an audible signal when traveling forward or reverse	K257A64	7	\$339.00
<b>PART 4</b>	<b>ROPS / OPG (Top Guard, Level I)</b>			
K9782	REPLACEMENT 4-POST ROPS / OPG (Top Guard, Level I) CANOPY	K1K105A04	20	\$1,454.00
K9943A	RETRACTABLE SEAT BELT OPTION (3") As required in some states for OSHA compliance.	K60A80	3	\$80.00
	<b>Available from Parts</b>			
	70000-01602 Screen Type Spark Arrestor			
	77700-08686 Strobe Light, Class 2, LED, flashing strobe w/ vacuum magnetic mounting			
	77700-08687 Rotating Beacon, Class 1, halogen (beacon light only) w/ magnetic mounting			

# KUBOTA

## K Series KX018-4

KX018-4

Hydraulic Excavator

Short Pitch Rubber Tracks  
 ROPS/OPG (Top Guard, Level 1) 4 Post Canopy or Heated Cab  
 Suspension Seat  
 Variable Width Track Frame  
 Kubota 4 Hydraulic Pump Design  
 2 Gear; 2 Variable Displacement Pumps  
 Hydraulic Joystick Controls with Wrist Rests  
 Two Operating Pattern Selection System  
 Standard Front Dozer Blade with Extensions  
 360 Degree Full Rotation  
 75° Left and 60° Right Boom Swing Angle  
 7.4 GPM Auxiliary Hydraulics Port  
 Five Second Quick Preheat System  
 Key Switch Stop System  
 Self Bleed Fuel System  
 Auto-downshift Two Speed Travel System

**DOZER BLADE DIMENSIONS**

KX018-4R1, Rubber tracks, 4-Post ROPS/OPG (Top Guard, Level 1) Canopy, Dipper Arm, Counterweight  
 KX018-4R2, Rubber tracks, 4-Post ROPS/OPG (Top Guard, Level 1) Heated Cab, Dipper Arm, Counterweight

**DIMENSIONS AND OPERATING WEIGHT**

KX018-4R1, Rubber tracks, 4-Post ROPS/OPG (Top Guard, Level 1) Canopy, Dipper Arm, Counterweight

Overall Length	12' 2.1"
Overall Width	3'3" / 4'3.2"
Overall Height	7'7.7"
Operating Weight*	3747 lbs.
Ground Clearance	6.3"

\*Includes operator's weight of 175 lbs.

**ENGINE**

D902 Kubota E-TVCS Tier 4 Final Diesel Engine  
 3 Cylinder, 4 Cycle  
 16.1 Gross HP (SAE J1995) @ 2300 RPM  
 15.5 Net HP (SAE J1349) @ 2300 RPM

**OPERATIONAL DIMENSIONS**

Max Digging Depth	7' 9.7"
Max Digging Radius @ Ground Level	12' 8"
Max Vertical Digging Depth	6' 7.9"
Max Dumping Height	7' 9.7"

**BASIC UNIT**

Digging Force @ Bucket (K7970)	3594 lbs.
Digging Force @ Dipper Arm	1852 lbs.
Travel Speed (Low/High)	1.4/2.6 mph
Climbing Ability	27% / 15°
Ground Pressure	3.7 psi
Lift Capacity	910 lbs.

- Over End
- Blade Grounded
- 2 Ft. Load Point Height
- 8 Ft. Load Radius

# KUBOTA

## K Series KX018-4

### HOW TO SELECT A KX018-4 EXCAVATOR (Sample Order Information Page)

Below is an example of a complete KX018-4 order. To submit your order, please select the Basic Unit that you desire from Part 1. Then select the attachments from Parts 2 and 3 needed to complete your order.

STEP 1)	Select from Part 1 the Basic Unit that fits your needs. For example, choose a KX018-4 and get: Base Model, rubber tracks, 4-post ROPS/OPG (Top Guard, Level I) canopy, dozer blade, dipper arm and counterweight.
STEP 2)	Select from Parts 2 and 3 the attachments necessary to make the unit a complete machine. Choose buckets and quick couplers or hydraulic breaker.

(SAMPLE ORDER)

ORDER CODE	DESCRIPTION	FACTORY NUMBER	APPROX. SHIP WT.	SUGGESTED LIST PRICE
<b>STANDARD UNIT KX018-4R1 COMPLETE ORDER AND PRICE</b>				
BASIC UNIT:				
<b>KX018-4R1</b>	<b>EXCAVATOR WITH:</b> Rubber Tracks 4-Post ROPS/OPG (Top Guard, Level I) Canopy Dozer Blade Dipper arm Counterweight	K24K313A92	3967	\$31,992.00
ATTACHMENTS:				
K7966A	Quick Coupler	K614A84	20	\$809.00
K7970A	18" 1.5 cu. ft. Trenching Bucket	K519A08	115	<u>\$683.00</u>
				\$33,484.00

# KUBOTA

## K Series KX018-4

ORDER CODE	DESCRIPTION	FACTORY NUMBER	APPROX. SHIP WT.	SUGGESTED LIST PRICE
<b>PART 1 MODEL KX018-4 BASIC UNITS</b>				
<b>KX018-4R1</b>	<b>Excavator Basic Unit</b>	K24K313A92	3967	\$31,992.00
	With: Rubber Tracks, 4-Post ROPS/OPG (Top Guard, Level I) Canopy, Dozer Blade, Dipper Arm, Counterweight			
<b>KX018-4R2</b>	<b>Excavator Basic Unit</b>	K27K103A88	3967	\$35,663.00
	With: Rubber Tracks, ROPS/OPG (Top Guard, Level I) Heated Cab, Dozer Blade, Dipper Arm, Counterweight			
<b>PART 2 BUCKETS</b>				
<b>PIN-ON BUCKETS</b>				
K7779A	9 inch 0.52 cu. ft. 2-Hole H. D. Bucket	K523A64	57	\$689.00
K7780A	12 inch 0.74 cu. ft. 2-Hole H. D. Bucket	K540A36	82	\$711.00
K7781	16 inch 0.95 cu. ft. 2-Hole H. D. Bucket	K596A60	94	\$785.00
K7785	18 inch 1.1 cu. ft. 2-Hole H. D. Bucket	K741A00	95	\$975.00
<b>QUICK ATTACH BUCKETS</b>				
K7966A	Quick Coupler Includes two mounting pins, 1 locking pin, and hardware.	K601A92	20	\$792.00
K7967A	9 inch 0.78 cu. ft. Trenching Bucket	K324A52	86	\$427.00
K7968A	12 inch 1.0 cu. ft. Trenching Bucket	K418A76	92	\$551.00
K7969A	16 inch 1.3 cu. ft. Trenching Bucket	K417A24	108	\$549.00
K7970A	18 inch 1.5 cu. ft. Trenching Bucket	K519A08	115	\$683.00
K9607	Bucket Hangers Set of two ear blanks. Converts buckets to quick coupler style. Modification to match bucket contour required.	K194A56	12	\$256.00
<b>PART 3 ATTACHMENTS</b>				
K7420	Travel Pedal Kit	K199A88	7	\$263.00
K7421	Canopy Work Light Kit	K161A12	9	\$212.00
K7141	MIRROR KIT **Cab ONLY	K171A00	11	\$225.00
K7424	Travel Alarm Kit Emits an audible signal when traveling forward or reverse	K161A12	1	\$212.00
<b>PART 4 ROPS / OPG (Top Guard, Level I)</b>				
K7422	REPLACEMENT 4-POST ROPS / OPG (Top Guard, Level I) CANOPY	K1K035A88	143	\$1,363.00
K7423	REPLACEMENT ROPS / OPG (Top Guard, Level I) CAB The K7423 cab is configured as a replacement for damaged factory mounted cabs. It does not include cabin electrical wiring, wiper motor, heater, or defroster. Refer to illustrated parts list to order these components.	K3K667A00	375	\$4,825.00
K7425	RETRACTABLE SEAT BELT OPTION (3") As required in some states for OSHA compliance.	K63A84	3	\$84.00
<b>Available from Parts</b>				
70000-01602	Screen Type Spark Arrestor			
70000-00775	Block Heater			
77700-08686	Strobe Light, Class 2, LED, flashing strobe w/ vacuum magnetic mounting			
77700-08687	Rotating Beacon, Class 1, halogen (beacon light only) w/ magnetic mounting			

# KUBOTA

## K Series U27-4

### U27-4

#### Min Tail Swing Hydraulic Excavator

Min Tail Swing  
 Half Pitch Rubber Tracks  
 ROPS/OPG (Top Guard, Level 1) 4 Post Canopy  
 Or Cab w/ HEAT ONLY, Suspension Seat  
 Kubota 3 Hydraulic Pump Design  
 1 Gear; 2 Variable Displacement Pumps  
 Hydraulic Joystick Controls with Wrist Rests  
 Two Operating Pattern Selection System  
 Standard Front Dozer Blade  
 360 Degree Full Rotation  
 75° Left and 55° Right Boom Swing Angle  
 12.7 GPM Auxiliary Hydraulics Port  
 Five Second Quick Preheat System  
 Key Switch Stop System  
 Self Bleed Fuel System  
 Two Speed Travel with Auto Downshift  
 Thumb Bracket and Relief Valves

#### BASIC UNIT

U27-4R1, Rubber tracks, 4-Post ROPS/OPG  
 (Top Guard, Level 1) Canopy, Dipper Arm,  
 Counterweight  
 U27-4R2, Rubber tracks, 4-Post ROPS/OPG  
 (Top Guard, Level 1) Cab, Dipper Arm,  
 Counterweight

#### DIMENSIONS AND OPERATING WEIGHT

U27-4, Rubber tracks, 4-Post ROPS/OPG (Top  
 Guard, Level 1) Canopy, Dipper Arm,  
 Counterweight

Overall Length	13' 6"
Overall Width	4' 11"
Overall Height	7' 10"
Operating Weight*	5,688lbs.
Ground Clearance	12.1"

\*Includes operator's weight of 175 lbs.

#### ENGINE

D1105-BH Kubota Tier 4 Final Diesel Engine  
 3 Cylinder, 4 Cycle  
 20.8 Gross HP (SAE J1995) @ 2400 RPM  
 20.0 Net HP (SAE J1349) @ 2400 RPM

Max Digging Depth	9' 5"
Max Digging Radius @ Ground Level	15' 4"
Max Vertical Digging Depth	7' 8"
Max Dumping Height	10'

#### DOZER BLADE

Width	59"
Height	11.8"
Lift Above Ground	14.0"
Drop Below Ground	13.0"

#### PERFORMANCE

Digging Force @ Bucket	7014 lbs.
Digging Force @ Dipper Arm	2777 lbs.
Travel Speed (Low/High)	1.6/2.7 mph
Climbing Ability	36% / 20°
Ground Pressure	3.3 psi
Lift Capacity	2050 lbs.

- Over Front
- Blade Grounded
- 2 Ft. Load Point Height
- 8 Ft. Load Radius

# KUBOTA

## K Series U27-4

### HOW TO SELECT A U27-4 EXCAVATOR (Sample Order Information Page)

Below are examples of a complete U27-4 order. To submit your order, please select the Basic Unit Model that you desire from Part 1. Then select the attachments from Parts 2 and 3 needed to complete your order.

STEP 1)	Select from Part 1 the Basic Unit that fits your needs. For example, choose a U27-4 and get: Base Model, rubber tracks, 4-post ROPS/ OPG (Top Guard, Level I) canopy, dozer blade, dipper arm and counterweight.
STEP 2)	Select from Parts 2 and 3 the attachments necessary to make the unit a complete machine. Choose buckets and quick couplers, thumb or hydraulic breaker.

(SAMPLE ORDER)

ORDER CODE	DESCRIPTION	FACTORY NUMBER	APPROX. SHIP WT.	SUGGESTED LIST PRICE
<b>STANDARD UNIT U27-4 COMPLETE ORDER AND PRICE</b>				
BASIC UNIT:				
<b>U27-4R1</b>	<b>Excavator Basic Unit</b>	K28K125A32	7319	\$37,007.00
	With: Rubber Tracks 4-Post ROPS/OPG (Top Guard, Level I) Canopy Dozer Blade Dipper arm Counterweight			
ATTACHMENTS:				
K7130	Quick Coupler	K648A28	39	\$853.00
K7977	18" 2.2 cu. ft. Trenching Bucket	K844A36	150	\$1,111.00
				<u>\$38,971.00</u>

# KUBOTA

## K Series U27-4

ORDER CODE	DESCRIPTION	FACTORY NUMBER	APPROX. SHIP WT.	SUGGESTED LIST PRICE
<b>PART 1</b>	<b>MODEL U27-4 BASIC UNITS</b>			
<b>U27-4R1</b>	<b>Excavator Basic Unit</b> With: Rubber Tracks, 4-Post ROPS/OPG (Top Guard, Level I) Canopy, Dozer Blade, Dipper Arm, Counterweight	K28K125A32	7319	\$37,007.00
<b>U27-4R2</b>	<b>Excavator Basic Unit</b> With: Rubber Tracks, 4-Post ROPS/OPG (Top Guard, Level I) Cab, <b>HEAT ONLY</b> , Dozer Blade, Dipper Arm, Counterweight	K31K569A64	7319	\$41,539.00
<b>PART 2</b>	<b>BUCKETS</b>			
	<b>PIN-ON BUCKETS (Order Attaching Pins from Parts)</b>			
K7150	9 inch 3-Hole H.D. BUCKET	Availability TBA		Availability TBA
K7151	12 inch 1.44 cu. ft. 3-Hole H.D. BUCKET	Availability TBA		Availability TBA
K7152	16 inch 2.12 cu. ft. 3-Hole H.D. BUCKET	Availability TBA		Availability TBA
K7153	18 inch 2.40 cu. ft. 3-Hole H.D. BUCKET	Availability TBA		Availability TBA
K7154	24 inch 3.40 cu. ft. 3-Hole H.D. BUCKET	Availability TBA		Availability TBA
	<b>QUICK ATTACH BUCKETS</b>			
K7130	<b>QUICK COUPLER</b> Curl hole and power hole built into quick coupler. Includes two mounting pins, 1 locking pin, and hardware.	K648A28	39	\$853.00
K9781	<b>BUCKET HANGERS</b> Set of 2 bucket ear blanks. Converts buckets to quick coupler style. Modification to match bucket contour required.	K228A76	15	\$301.00
K7975	9 inch 1.0 cu. ft. Trenching Bucket	K642A20	110	\$845.00
K7976	12 inch 1.4 cu. ft. Trenching Bucket	K743A28	135	\$978.00
K7977	16 inch 1.9 cu. ft. Trenching Bucket	K844A36	150	\$1,111.00
K7978	18 inch 2.2 cu. ft. Trenching Bucket The K7978 bucket has four teeth. The K7131 Thumb tines contact the end of the teeth and do not mesh between the teeth.	K943A16	155	\$1,241.00
K7979	24 inch 3.0 cu. ft. Trenching Bucket	K1K043A48	180	\$1,373.00
<b>PART 3</b>	<b>ATTACHMENTS</b>			
K7131	<b>HYDRAULIC THUMB KIT</b> K7130 Quick Coupler required.	K1K567A12	122	\$2,062.00
K7420	Travel Pedal Kit (for foot travel control)	K199A88	7	\$263.00
K7425	<b>RETRACTABLE SEAT BELT OPTION (3")</b> As required in some states for OSHA compliance.	K63A84	3	\$84.00
K7140	<b>CANOPY WORK LIGHT KIT **Open Rops Only</b>	K161A12	20	\$212.00
K7141	<b>MIRROR KIT **Cab ONLY</b>	K171A00	22	\$225.00
N/A	<b>STEEL CRAWLER KIT</b> Convert tracks from rubber to steel			
K7144	<b>TRAVEL ALARM KIT</b> Emits an audible signal when traveling forward or reverse	K161A12	2	\$212.00
K7145	<b>SPARK ARRESTOR MUFFLER KIT</b> Optional kit for use in close proximity with grass, brush, timber and similar material with potential for ignition. This kit enables the use of the 70000-01602 screen type spark arrester. The 70000-01602 screen type spark arrester CANNOT be used with the stock muffler.	K294A88		\$388.00
<b>PART 4</b>	<b>ROPS / OPG (Top Guard, Level I)</b>			
K7142	<b>REPLACEMENT 4-POST ROPS / OPG (Top Guard, Level I) CANOPY</b>	K1K078A44	154	\$1,419.00
K7143	<b>REPLACEMENT 4-POST ROPS / OPG (Top Guard, Level I) Cab, HEAT ONLY</b>	K4K271A96	558	\$5,621.00
K7425	<b>RETRACTABLE SEAT BELT OPTION (3")</b> As required in some states for OSHA compliance.	K63A84	3	\$84.00
	<b>Available from Parts</b>			
	70000-01602 Screen Spark Arrestor ( requires K7145)			

# KUBOTA



# KUBOTA

## K Series KX71-3S4

### KX71-3S4

#### Hydraulic Excavator

#### FEATURES

Half Pitched Rubber Tracks or Steel Tracks  
 ROPS/OPG (Top Guard, Level 1) 4 Post Canopy or Heated Cab  
 Suspension Seat  
 Kubota 3 Hydraulic Pump Design  
 1 Gear; 2 Variable Displacement Pumps  
 Hydraulic Joystick Controls with Wrist Rests  
 Two Operating Pattern Selection System  
 Standard Front Dozer Blade  
 360 Degree Full Rotation  
 80° Left and 60° Right Boom Swing Angle  
 13.1 GPM Adjustable Auxiliary Hydraulics Port  
 Five Second Quick Preheat System  
 Key Switch Stop System  
 Self Bleed Fuel System  
 Two Speed Travel  
 Thumb Bracket and Relief Valves  
 Swivel Negative Brake

KX71-3S4R1, Rubber Tracks, 4-Post ROPS/OPG (Top Guard, Level 1) Canopy  
 KX71-3S4R2, Rubber Tracks, ROPS/OPG (Top Guard, Level 1) Heated Cab  
 KX71-3S4S1, Steel Tracks, 4-Post ROPS/OPG (Top Guard, Level 1) Canopy  
 KX71-3S4S2, Steel Tracks, ROPS/OPG (Top Guard, Level 1) Heated Cab

#### DIMENSIONS AND OPERATING WEIGHT

KX71-3S4R1, Rubber Tracks, 4-Post ROPS/OPG (Top Guard, Level 1) Canopy  
 Overall Length 14' 11"  
 Overall Width 4' 11"  
 Overall Height 8' 0"  
 Operating Weight\* 6,305 lbs.  
 Ground Clearance 11.0"

KX71-3S4R2, Rubber Tracks, ROPS/OPG (Top Guard, Level 1) Heated Cab  
 Overall Length 14' 11"  
 Overall Width 4' 11"  
 Overall Height 7' 11"  
 Operating Weight\* 6,550 lbs.  
 Ground Clearance 11.0"

\*Includes operator's weight of 175 lbs.

#### ENGINE

D1505 Kubota E-TVCS Tier 4 Final Diesel Engine  
 4 Cylinder, 4 Cycle  
 24.4 Gross HP (SAE J1995) @ 2300 RPM  
 23.1 Net HP (SAE J1349) @ 2300 RPM

#### OPERATIONAL DIMENSIONS

Max Digging Depth	9' 9"
Max Digging Radius @ Ground Level	16' 0"
Max Vertical Digging Depth	6' 5"
Max Dumping Height	10' 5"

#### DOZER BLADE DIMENSIONS

Width	59"
Height	12.0"
Lift Above Ground	13.0"
Drop Below Ground	12.0"

Digging Force @ Bucket (K7978)	6350 lbs.
Digging Force @ Dipper Arm	3285 lbs.
Travel Speed (Low/High)	1.8/2.9 mph
Climbing Ability	36% / 20°
Ground Pressure (Rubber/Canopy)	3.9 psi
Lift Capacity	1,760 lbs.
• Over Front	
• Blade Grounded	
• 2 Ft. Load Point Height	
• 8 Ft. Load Radius	

# KUBOTA

## K Series KX71-3S4

### HOW TO SELECT A KX71-3S4 EXCAVATOR (Sample Order Information Page)

Below are examples of a complete KX71-3S4 order. To submit your order, please select the Basic Unit Model that you desire from Part 1. Then select the attachments from Parts 2 and 3 needed to complete your order.

STEP 1)	Select from Part 1 the Basic Unit that fits your needs. For example, choose a KX71-3S4 and get: Base Model, rubber tracks, 4-post ROPS/OPG (Top Guard, Level I) canopy, dozer blade, dipper arm and counterweight.
STEP 2)	Select from Parts 2 and 3 the attachments necessary to make the unit a complete machine. Choose buckets and quick couplers, thumb or hydraulic breaker.

(SAMPLE ORDER)

ORDER CODE	DESCRIPTION	FACTORY NUMBER	APPROX. SHIP WT.	SUGGESTED LIST PRICE
<b>STANDARD UNIT KX71-3S4R1 COMPLETE ORDER AND PRICE</b>				
BASIC UNIT:				
<b>KX71-3S4R1</b>	<b>Excavator Basic Unit</b>	K30K531A48	6550	\$40,173.00
With:	Rubber Tracks 4-Post ROPS/OPG (Top Guard, Level I) Canopy Dozer Blade Dipper arm Counterweight			
ATTACHMENTS:				
K7870A	Quick Coupler	K720A48	75	\$948.00
K7875A	24" 4.25 cu. ft. Trenching Bucket	K996A36	240	\$1,311.00
				<u>\$42,432.00</u>
<b>STANDARD UNIT KX71-3S4R2 COMPLETE ORDER AND PRICE</b>				
BASIC UNIT:				
<b>KX71-3S4R2</b>	<b>Excavator Basic Unit</b>	K33K927A16	6550	\$44,641.00
With:	Rubber Tracks ROPS/OPG (Top Guard, Level I) Cab Dozer Blade Dipper arm Counterweight			
ATTACHMENTS:				
K7862A	24" 3.73 cu. ft. 3-Hole H. D. Bucket	K939A90	225	\$1,205.00
				<u>\$45,846.00</u>

# KUBOTA

## K Series KX71-3S4

ORDER CODE	DESCRIPTION	FACTORY NUMBER	APPROX. SHIP WT.	SUGGESTED LIST PRICE
<b>PART 1 MODEL KX71-3S4 BASIC UNITS</b>				
<b>KX71-3S4R1</b>	<b>Excavator Basic Unit</b>	K30K531A48	6550	\$40,173.00
	With: Rubber Tracks, 4-Post ROPS/OPG (Top Guard, Level I) Canopy, Dozer Blade, Dipper Arm, Counterweight			
<b>KX71-3S4R2</b>	<b>Excavator Basic Unit</b>	K33K927A16	6550	\$44,641.00
	With: Rubber Tracks, ROPS/OPG (Top Guard, Level I) Cab, Dozer Blade, Dipper Arm, Counterweight			
<b>KX71-3S4S1</b>	<b>Excavator Basic Unit</b>	K30K531A48	6746	\$40,173.00
	With: Steel Tracks, 4-Post ROPS/OPG (Top Guard, Level I) Canopy, Dozer Blade, Dipper Arm, Counterweight			
<b>KX71-3S4S2</b>	<b>Excavator Basic Unit</b>	K33K927A16	7033	\$44,641.00
	With: Steel Tracks, ROPS/OPG (Top Guard, Level I) Cab, Dozer Blade, Dipper Arm, Counterweight			
<b>PART 2 BUCKETS</b>				
<b>PIN-ON BUCKETS (Order attaching pins from Parts)</b>				
K7792A	12 inch 2.60 cu. ft. 3-Hole Bucket	K797A24	194	\$1,049.00
K7793	16 inch 2.80 cu. ft. 3-Hole Bucket	K856A52	220	\$1,127.00
K7794	18 inch 3.20 cu. ft. 3-Hole Bucket	K895A28	229	\$1,178.00
K7796	24 inch 4.50 cu. ft. 3-Hole Bucket	K987A24	265	\$1,299.00
<b>QUICK ATTACH BUCKETS</b>				
K7870	<b>QUICK COUPLER</b> Curl hole and power hole built into quick coupler. Includes two mounting pins, 1 locking pin and hardware.	K753A92	75	\$992.00
K7870A	<b>QUICK COUPLER</b> Curl hole and power hole built into quick coupler. Includes two mounting pins, 1 locking pin and hardware.	K720A48	75	\$948.00
K9807	<b>BUCKET HANGERS</b> Set of 2 bucket ear blanks. Converts buckets to quick coupler style. Modification to match bucket contour required.	K297A92	49	\$392.00
K7872A	12 inch 2.13 cu. ft. Trenching Bucket	K736A44	160	\$969.00
K7873A	16 inch 2.83 cu. ft. Trenching Bucket	K771A40	185	\$1,015.00
K7874A	18 inch 3.19 cu. ft. Trenching Bucket The K7874A bucket has four teeth. The K7902 Thumb tines contact the end of the teeth and do not mesh between the teeth.	K831A44	190	\$1,094.00
K7875A	24 inch 4.25 cu. ft. Trenching Bucket	K996A36	240	\$1,311.00
K7473	36 inch 3.0 cu. ft. TILT GRADING BUCKET Includes hoses and fittings. Tilts 45° each direction.	K3K850A92	305	\$5,067.00
K7474A	<b>BOLT ON CUTTING EDGE</b> For K7473 36" grading bucket	K119A32	36	\$157.00
K7458	36 inch Grading Blade	K1K246A40	270	\$1,640.00
K7458A	36 inch Grading Blade	K1K060A96	270	\$1,396.00
K7546	36" Cemetery Bucket	K1K098A96	265	\$1,446.00

# KUBOTA

## K Series KX71-3S4

ORDER CODE	DESCRIPTION	FACTORY NUMBER	APPROX. SHIP WT.	SUGGESTED LIST PRICE
<b>PART 3</b>	<b>ATTACHMENTS</b>			
K7902	HYDRAULIC THUMB KIT K7870 Quick Coupler required.	K2K342A32	190	\$3,082.00
K7461	24" EXCAVATING RAKE, QUICK ATTACH	K1K720A64	300	\$2,264.00
K9919	CANOPY WORK LIGHT KIT	K98A80	4	\$130.00
K9736	STEEL CRAWLER KIT Convert tracks from rubber to steel	K2K269A36	787	\$2,986.00
K9967	TRAVEL ALARM KIT Emits an audible signal when traveling forward or reverse	K234A08	2	\$308.00

# KUBOTA

## K Series KX71-3S4

ORDER CODE	DESCRIPTION	FACTORY NUMBER	APPROX. SHIP WT.	SUGGESTED LIST PRICE
<b>PART 4</b>	<b>ROPS / OPG (Top Guard, Level I)</b>			
K7890	REPLACEMENT 4-POST ROPS/OPG (Top Guard, Level I) CANOPY	K915A80	180	\$1,205.00
K7899	REPLACEMENT ROPS / OPG (Top Guard, Level I) CAB The K7899 cab is configured as a replacement for damaged factory mounted cabs. It does not include cabin electrical wiring, wiper motor, heater, or defroster. Refer to illustrated parts list to order these components.	K4K451A32	400	\$5,857.00
K9943A	RETRACTABLE SEAT BELT OPTION (3") As required in some states for OSHA compliance.	K60A80	3	\$80.00

**Available from parts**

70000-73274 Block Heater Kit

# KUBOTA

---

This page intentionally left blank.

# KUBOTA

## K Series KX033-4

### KX033-4 Hydraulic Excavator

#### FEATURES

Half Pitched Rubber Tracks or (Steel Tracks) \*\*\*  
 ROPS/OPG (Top Guard, Level 1) 4 Post Canopy or Heated Cab with A/C  
 Suspension Seat  
 Kubota 3 Hydraulic Pump Design  
 1 Gear; 2 Variable Displacement Pumps  
 Hydraulic Joystick Controls with Wrist Rests  
 Hydraulic Accumulator  
 Two Operating Pattern Selection System  
 Standard Front Dozer Blade  
 360 Degree Full Rotation  
 70° Left and 48° Right Boom Swing Angle  
 15.8 GPM Adjustable Auxiliary Hydraulics Port With Diverter Valve  
 Five Second Quick Preheat System  
 Key Switch Stop System  
 Self Bleed Fuel System  
 Two Speed Travel  
 Auto Idle  
 Thumb Bracket and Relief Valves  
 Swivel Negative Brake  
 Travel Negative Brake  
 Third Line Return (Hydraulic)

#### BASIC UNIT

KX033-4R1 Rubber Tracks, 4-Post ROPS/OPG (Top Guard, Level 1) Canopy  
 KX033-4R1A, Rubber Tracks, ROPS/OPG (Top Guard, Level 1) Canopy, Angle Dozer Blade  
 KX033-4R1E\*\*\*, Rubber Tracks, ROPS/OPG, Canopy, Extendable Dipper Arm  
 KX033-4R1AE\*\*\*, Rubber Tracks, ROPS/OPG (Top Guard, Level 1) Canopy, Angle Dozer Blade, Extendable Dipper Arm  
 KX033-4R3, Rubber Tracks, ROPS/OPG (Top Guard, Level 1) Heated Cab with A/C  
 KX033-4R3A, Rubber Tracks, ROPS/OPG (Top Guard, Level 1) Heated Cab with A/C, Angle Blade  
 KX033-4R3E\*\*\*, Rubber Tracks, ROPS/OPG (Top Guard, Level 1) Heated Cab with A/C, Extendable Dipper Arm  
 KX033-4R3AE\*\*\*, Rubber Tracks, ROPS/OPG (Top Guard, Level 1) Heated Cab with A/C, Angle Dozer blade, Extendable Dipper Arm

#### DIMENSIONS AND OPERATING

KX033-4R1, Rubber Tracks, 4-Post ROPS/OPG (Top Guard, Level 1) Canopy  
 Overall Length 15' 6"  
 Overall Width 5' 1"  
 Overall Height 8' 1"  
 Operating Weight\* 7420 lbs.  
 Ground Clearance 11.4"

KX033-4R3, Rubber Tracks, ROPS/OPG (Top Guard, Level 1) Heated Cab with A/C  
 Overall Length 15' 6"  
 Overall Width 5' 1"  
 Overall Height 8' 1"  
 Operating Weight\* 7,742 lbs.  
 Ground Clearance 11.4"

\*Includes operator's weight of 175 lbs.

#### ENGINE

Kubota D1703M-DI-E4  
 3 Cylinder, 4 Cycle  
 24.8 Gross HP (SAE J1995) @ 2200 RPM  
 23.2 Net HP (SAE J1349) @ 2200 RPM

#### OPERATIONAL DIMENSIONS

Max Digging Depth 10' 6"  
 Max Digging Radius @ Ground Level 16' 10"  
 Max Vertical Digging Depth 7' 4"  
 Max Dumping Height 11' 7"

#### DOZER BLADE DIMENSIONS

Width 61"  
 Height 13.5"/ 15.2" Angle  
 Lift Above Ground 14.4"/ 15.9" Angle  
 Drop Below Ground 14.8"/ 16.1" Angle

#### PERFORMANCE

Digging Force @ Bucket 8138 lbs  
 Digging Force @ Dipper Arm 3867 lbs  
 Travel Speed (Low/High) 1.9/2.9 mph  
 Traction Force (Low) 6091 lbs  
 Lift Capacity 3230 lbs

- Over Front
- Blade Grounded
- 2 Ft. Load Point Height
- 8 Ft. Load Radius

# KUBOTA

## K Series KX033-4

### HOW TO SELECT A KX033-4 EXCAVATOR (Sample Order Information Page)

Below are examples of a complete KX033-4 order. To submit your order, please select the Basic Unit Model that you desire from Part 1. Then select the attachments from Parts 2 and 3 needed to complete your order.

STEP 1)	Select from Part 1 the Basic Unit that fits your needs. For example, choose a KX033-4 and get: Base Model, rubber tracks, 4-post ROPS/OPG (Top Guard, Level I) canopy, angle dozer blade, dipper arm and counterweight.
STEP 2)	Select from Parts 2 and 3 the attachments necessary to make the unit a complete machine. Choose buckets and quick couplers, thumb or hydraulic breaker.

(SAMPLE ORDER)

ORDER CODE	DESCRIPTION	FACTORY NUMBER	APPROX. SHIP WT.	SUGGESTED LIST PRICE
<b>STANDARD UNIT KX033-4R1A COMPLETE ORDER AND PRICE</b>				
BASIC UNIT:				
<b>KX033-4R1A</b>	<b>Excavator Basic Unit</b>	K37K201A24	7,140	\$48,949.00
With:	Rubber Tracks 4-Post ROPS/OPG (Top Guard, Level I) Canopy Angle Dozer Blade Dipper Arm Counterweight			
ATTACHMENTS:				
K7862A	24" 3.73 cu. ft. 3-Hole H. D. Bucket	K939A90	225	\$1,205.00
				\$50,154.00
<b>STANDARD UNIT KX033-4R3 COMPLETE ORDER AND PRICE</b>				
BASIC UNIT:				
<b>KX033-4R3</b>	<b>Excavator Basic Unit</b>	K39K878A72	9,370	\$52,472.00
With:	Rubber Tracks ROPS/OPG (Top Guard, Level I) Cab Dozer Blade Dipper Arm Counterweight			
ATTACHMENTS:				
K7870A	Quick Coupler	K720A48	75	\$948.00
K7875A	24" 4.25 cu. ft. Trenching Bucket	K996A36	240	\$1,311.00
				\$54,731.00



# KUBOTA

## K Series KX033-4

ORDER CODE	DESCRIPTION	FACTORY NUMBER	APPROX. SHIP WT.	SUGGESTED LIST PRICE
<b>PART 1</b>	<b>MODEL KX033-4</b>			
<b>KX033-4R1</b>	<b>Excavator Basic Unit</b> With: Rubber Tracks, 4-Post ROPS/OPG (Top Guard, Level I) Canopy, Dozer Blade, Dipper Arm, Counterweight	K35K008A64	9,370	\$46,064.00
<b>KX033-4R1A</b>	<b>Excavator Basic Unit</b> With: Rubber Tracks, 4-Post ROPS/OPG (Top Guard, Level I) Canopy, Angle Dozer Blade, Dipper Arm, Counterweight	K37K201A24	9,370	\$48,949.00
<b>KX033-4R3</b>	<b>Excavator Basic Unit</b> With: Rubber Tracks, ROPS/OPG (Top Guard, Level I) Cab, Heat and A/C, Dozer Blade, Dipper Arm, Counterweight	K39K878A72	9,370	\$52,472.00
<b>KX033-4R3A</b>	<b>Excavator Basic Unit</b> With: Rubber Tracks, ROPS/OPG (Top Guard, Level I) Cab, Heat and A/C, Angle Dozer Blade, Dipper Arm, Counterweight	K42K065A24	9,370	\$55,349.00
<b>KX033-4R1E</b>	<b>Excavator Basic Unit</b> With: Rubber Tracks, 4-Post ROPS/OPG (Top Guard, Level I) Canopy, Dozer Blade, Extendable Dipper Arm, Counterweight	K37K551A60	7,540	\$49,410.00
<b>KX033-4R1AE</b>	<b>Excavator Basic Unit</b> With: Rubber Tracks, 4-Post ROPS/OPG (Top Guard, Level I) Canopy, Angle Dozer Blade, Extendable Dipper Arm, Counterweight	K39K744A20	7,540	\$52,295.00
<b>KX033-4R3E</b>	<b>Excavator Basic Unit</b> With: Rubber Tracks, ROPS/OPG (Top Guard, Level I) Cab, Heat and A/C, Dozer Blade, Extendable Dipper Arm, Counterweight	K42K421A68	7,540	\$55,818.00
<b>KX033-4R3AE</b>	<b>Excavator Basic Unit</b> With: Rubber Tracks, ROPS/OPG (Top Guard, Level I) Cab, Heat and A/C, Angle Dozer Blade, Extendable Dipper Arm, Counterweight	K44K608A96	7,540	\$58,696.00
<b>PART 2</b>	<b>BUCKETS</b>			
	<b>PIN-ON BUCKETS (Order Attaching Pins from Parts)</b>			
K7792A	12 inch 2.60 cu. ft. 3-Hole Bucket	K797A24	194	\$1,049.00
K7793	16 inch 2.80 cu. ft. 3-Hole Bucket	K856A52	220	\$1,127.00
K7794	18 inch 3.20 cu. ft. 3-Hole Bucket	K895A28	229	\$1,178.00
K7796	24 inch 4.50 cu. ft. 3-Hole Bucket	K987A24	265	\$1,299.00
	<b>QUICK ATTACH BUCKETS</b>			
K7870	<b>QUICK COUPLER</b> Curl hole and power hole built into quick coupler. Includes two mounting pins, 1 locking pin and hardware.	K753A92	75	\$992.00
K7870A	<b>QUICK COUPLER</b> Curl hole and power hole built into quick coupler. Includes two mounting pins, 1 locking pin and hardware.	K720A48	75	\$948.00
K9807	<b>BUCKET HANGERS</b> Set of 2 bucket ear blanks. Converts buckets to quick coupler style. Modification to match bucket contour required.	K297A92	49	\$392.00

# KUBOTA

## K Series KX033-4

ORDER CODE	DESCRIPTION	FACTORY NUMBER	APPROX. SHIP WT.	SUGGESTED LIST PRICE
<b>PART 2</b>	<b>BUCKETS (Cont.)</b>			
K7872A	12 inch 2.13 cu. ft. Trenching Bucket	K736A44	160	\$969.00
K7873A	16 inch 2.83 cu. ft. Trenching Bucket	K771A40	185	\$1,015.00
K7874A	18 inch 3.19 cu. ft. Trenching Bucket	K831A44	190	\$1,094.00
	The K7874 bucket has four teeth. The K7910 Thumb tines contact the end of the teeth and do not mesh between the teeth.			
K7875A	24 inch 4.25 cu. ft. Trenching Bucket	K996A36	240	\$1,311.00
K7473	36 inch 3.0 cu. ft. TILT GRADING BUCKET Includes hoses and fittings. Tilts 45° each direction	K3K850A92	305	\$5,067.00
K7473A	36 inch 3.0 cu. ft. TILT GRADING BUCKET Includes hoses and fittings. Tilts 45° each direction	K3K382A00	305	\$4,450.00
K7474A	BOLT ON CUTTING EDGE For K7473 36" grading bucket	K119A32	36	\$157.00
K7458	36" Grading Blade	K1K246A40	270	\$1,640.00
K7546	36" Cemetery Bucket	K1K098A96	265	\$1,446.00
<b>PART 3</b>	<b>ATTACHMENTS</b>			
K7910A	① HYDRAULIC THUMB KIT K7870 Quick Coupler required	K2K039A08	195	\$2,683.00
K7461	① 24 INCH EXCAVATING RAKE, QUICK ATTACH	K1K720A64	300	\$2,264.00
K7940	CANOPY WORK LIGHT KIT	K117A80	6	\$155.00
K9784	TRAVEL ALARM KIT Emits an audible signal when traveling forward or reverse	K222A68	1	\$293.00
K7984	SPARK ARRESTOR MUFFLER KIT Optional kit for use in close proximity with grass, brush, timber and similar cellulose material with potential for ignition. Requires Heat Insulation Kit. 77700-06495	K380A76	10	\$501.00

① Not approved for use with extendible arm.

# KUBOTA

## K Series KX033-4

ORDER CODE	DESCRIPTION	FACTORY NUMBER	APPROX. SHIP WT.	SUGGESTED LIST PRICE
<b>PART 4</b>	<b>ROPS / OPG (Top Guard, Level I)</b>			
K9786	REPLACEMENT 4-POST ROPS / OPG (Top Guard, Level I) CANOPY	K1K235A76	240	\$1,626.00
K9787	REPLACEMENT ROPS / OPG (Top Guard, Level I) CAB  The cab is configured as a replacement for damaged factory mounted cabs. It does not include cabin electrical wiring, wiper motor, heater, or defroster. Refer to illustrated parts list to order these components.	K5K261A48	558	\$6,923.00
K7479	Cab Mirror Kit Includes two side mirrors, one for each side, one rear mirror, and attaching hardware	K222A68	11	\$293.00
K9943A	RETRACTABLE SEAT BELT OPTION (3") As required in some states for OSHA compliance.	K60A80	3	\$80.00

**Available from Parts**

- 70000-00297 Block Heater Kit
- 77700-04753A Radio Kit AM/FM/ WB/ AUX (for Cab models Only)
- 77700-04754A Radio Kit AM/FM/ WB/ AUX/ USB/ iPod/ SAT (for Cab models ONLY)
- 77700-06495 Heat Insulation Kit for Spark Arrestor Muffler
- 77700-08686 Strobe Light, Class 2, LED, flashing strobe w/ vacuum magnetic mounting
- 77700-08687 Rotating Beacon, Class 1, halogen (beacon light only) w/ magnetic mounting

# KUBOTA

---

This page intentionally left blank.

# KUBOTA

## K Series U35-4

U35-4

Tight Tail Swing Hydraulic Excavator

### FEATURES

Tight Tail Swing  
 Half Pitched Rubber Tracks or Steel Tracks  
 ROPS/OPG (Top Guard, Level 1) 4 Post Canopy or  
 Air Conditioned & Heated Cab  
 Suspension Seat  
 Kubota 3 Hydraulic Pump Design  
 1 Gear; 2 Variable Displacement Pumps  
 All Controls Hydraulic Pilot Controls  
 Hydraulic Accumulator  
 Two Operating Pattern Selection System  
 Digital Control Panel  
 Attachment Flow Presets, Service Alerts  
 Standard Front Dozer Blade with Float  
 Optional Float Angle Blade w/ BOCE  
 360 Degree Full Rotation  
 71° Left and 45° Right Boom Swing Angle  
 15.8 GPM Adjustable Auxiliary Hydraulics Port  
 Auxiliary Hydraulic Diverter Valve  
 Five Second Quick Preheat System  
 Key Switch Stop System  
 Self Bleed Fuel System  
 Auto-downshift Two Speed Travel System  
 Thumb Bracket and Relief Valves  
 Swivel Negative Brake  
 Travel Negative Brake  
 Third Line Return (Hydraulic)

### BASIC UNIT

U35-4R1, Rubber Tracks, 4-Post ROPS/OPG (Top  
 Guard, Level 1) Canopy  
 U35-4R1A, Rubber Tracks, 4-Post ROPS/OPG  
 (Top Guard, Level 1) Canopy, Angle Dozer Blade  
 U35-4R3, Rubber Tracks, ROPS/OPG (Top Guard,  
 Level 1) Air Conditioned/Heated Cab  
 U35-4R3A, Rubber Tracks, ROPS/OPG (Top  
 Guard, Level 1) Air Conditioning/Heated Cab,  
 Angle Dozer Blade

### DIMENSIONS AND OPERATING WEIGHT

U35-4R1, Rubber Tracks, 4-Post ROPS/OPG (Top  
 Guard, Level 1) Canopy  
 Overall Length 15' 7"  
 Overall Width 5' 7"  
 Overall Height 8' 1.2"  
 Operating Weight\* 8,129 lbs.  
 Ground Clearance 11.34"

U35-4R3, Rubber Tracks, ROPS/OPG (Top Guard,  
 Level 1) Air Conditioned/Heated Cab  
 Overall Length 15' 7"  
 Overall Width 5' 7"  
 Overall Height 8' 1.2"  
 Operating Weight\* 8,451 lbs.  
 Ground Clearance 11.34"

\*Includes operator's weight of 175 lbs.

### ENGINE

D1703-M Kubota E-TVCS Tier 4 Final Diesel Engine  
 3 Cylinder, 4 Cycle  
 24.8 Gross HP (SAE J1995) @ 2200 RPM  
 23.9 Net HP (SAE J1349) @ 2200 RPM

### OPERATIONAL DIMENSIONS

Max Digging Depth	9' 8.9"
Max Digging Radius @ Ground Level	16' 11.3"
Max Vertical Digging Depth	6' 7.3"
Max Dumping Height	11' 0.7"

### DOZER BLADE DIMENSIONS

Width	67"
Height	13.5"
Lift Above Ground	14.65"
Drop Below Ground	14.53"

### PERFORMANCE

Digging Force @ Bucket (K7875)	7924 lbs.
Digging Force @ Dipper Arm	4451 lbs.
Travel Speed (Low/High)	1.9/2.9 mph
Climbing Ability	36% / 20°
Lift Capacity	3230 lbs.
	<ul style="list-style-type: none"> <li>• Over Front</li> <li>• Blade Grounded</li> <li>• 2 Ft. Load Point Height</li> <li>• 8 Ft. Load Radius</li> </ul>

# KUBOTA

## K Series U35-4

### HOW TO SELECT A U35-4 EXCAVATOR (Sample Order Information Page)

Below are examples of a complete U35-4 order. To submit your order, please select the Basic Unit Model that you desire from Part 1. Then select the attachments from Parts 2 and 3 needed to complete your order.

STEP 1)	Select from Part 1 the Basic Unit that fits your needs. For example, choose a U35-4R1A and get: Base Model, rubber tracks, 4-post ROPS/OPG (Top Guard, Level I) canopy, angle dozer blade, dipper arm and counterweight.
STEP 2)	Select from Parts 2 and 3 the attachments necessary to make the unit a complete machine. Choose buckets and quick couplers, thumb or hydraulic breaker.

(SAMPLE ORDER)

ORDER CODE	DESCRIPTION	FACTORY NUMBER	APPROX. SHIP WT.	SUGGESTED LIST PRICE
<b>STANDARD UNIT U35-4R1A COMPLETE ORDER AND PRICE</b>				
BASIC UNIT:				
<b>U35-4R1A</b>	<b>Excavator Basic Unit</b>	K36K777A92	8,478	\$48,392.00
With:	Rubber Tracks 4-Post ROPS/OPG (Top Guard, Level I) Canopy Angle Dozer Blade Dipper arm Counterweight			
ATTACHMENTS:				
K7862A	24" 3.73 cu. ft. 3-Hole H. D. Bucket	K939A90	225	\$1,205.00 \$49,597.00
<b>STANDARD UNIT U35-4R3 COMPLETE ORDER AND PRICE</b>				
BASIC UNIT:				
<b>U35-4R3</b>	<b>Excavator Basic Unit</b>	K40K126A48	8,478	\$52,798.00
With:	Rubber Tracks Air Conditioned ROPS/OPG (Top Guard, Level I) Cab Dozer Blade Dipper arm Counterweight			
ATTACHMENTS:				
K7870A	Quick Coupler	K720A48	75	\$948.00
K7875A	24" 4.25 cu. ft. Trenching Bucket	K996A36	240	\$1,311.00 \$55,057.00

# KUBOTA

## K Series U35-4

ORDER CODE	DESCRIPTION	FACTORY NUMBER	APPROX. SHIP WT.	SUGGESTED LIST PRICE
<b>PART 1</b>	<b>MODEL U35-4 BASIC UNITS</b>			
<b>U35-4R1</b>	<b>Excavator Basic Unit</b>	K34K545A04	8,478	\$45,454.00
With:	Rubber Tracks, 4-Post ROPS/OPG (Top Guard, Level I) Canopy, Dozer Blade, Dipper Arm, Counterweight,			
<b>U35-4R1A</b>	<b>Excavator Basic Unit</b>	K36K777A92	8,478	\$48,392.00
With:	Rubber Tracks, 4-Post ROPS/OPG (Top Guard, Level I) Canopy, Angle Dozer Blade, Dipper Arm, Counterweight			
<b>U35-4R3</b>	<b>Excavator Basic Unit</b>	K40K126A48	8,478	\$52,798.00
With:	Rubber Tracks, Air Conditioned ROPS/OPG (Top Guard, Level I) Cab, Dozer Blade, Dipper Arm, Counterweight			
<b>U35-4R3A</b>	<b>Excavator Basic Unit</b>	K42K357A84	8,478	\$55,734.00
With:	Rubber Tracks, Air Conditioned ROPS/OPG (Top Guard, Level I) Cab, Angle Dozer Blade, Dipper Arm, Counterweight			
<b>PART 2</b>	<b>BUCKETS</b>			
	<b>PIN-ON BUCKETS (Order attaching pins from Parts)</b>			
K7792A	12 inch 2.60 cu. ft. 3-Hole Bucket	K797A24	194	\$1,049.00
K7793	16 inch 2.80 cu. ft. 3-Hole Bucket	K856A52	220	\$1,127.00
K7794	18 inch 3.20 cu. ft. 3-Hole Bucket	K895A28	229	\$1,178.00
K7796	24 inch 4.50 cu. ft. 3-Hole Bucket	K987A24	265	\$1,299.00
	<b>QUICK ATTACH BUCKETS</b>			
K7870	<b>QUICK COUPLER</b> Curl hole and power hole built into quick coupler. Includes two mounting pins, 1 locking pin and hardware.	K753A92	75	\$992.00
K7870A	<b>QUICK COUPLER</b> Curl hole and power hole built into quick coupler. Includes two mounting pins, 1 locking pin and hardware.	K720A48	75	\$948.00
K9807	<b>BUCKET HANGERS</b> Set of 2 bucket ear blanks. Converts buckets to quick coupler style. Modification to match bucket contour required.	K297A92	49	\$392.00
K7872A	12 inch 2.13 cu. ft. Trenching Bucket	K736A44	160	\$969.00
K7873A	16 inch 2.83 cu. ft. Trenching Bucket	K771A40	185	\$1,015.00
K7874A	18 inch 3.19 cu. ft. Trenching Bucket  The K7874A bucket has four teeth. The K7910A Thumb tines contact the end of the teeth and do not mesh between the teeth.	K831A44	190	\$1,094.00
K7875A	24 inch 4.25 cu. ft. Trenching Bucket	K996A36	240	\$1,311.00
K7473A	36 inch 3.0 cu. ft. TILT GRADING BUCKET Includes hoses and fittings. Tilts 45° each direction.	K3K382A00	305	\$4,450.00
K7474A	<b>BOLT ON CUTTING EDGE</b> For K7473 36" grading bucket	K119A32	36	\$157.00
K7458	36 inch Grading Blade	K1K246A40	270	\$1,640.00
K7546	36" Cemetery Bucket	K1K098A96	265	\$1,446.00

# KUBOTA

## K Series U35-4

ORDER CODE	DESCRIPTION	FACTORY NUMBER	APPROX. SHIP WT.	SUGGESTED LIST PRICE
<b>PART 3</b>	<b>ATTACHMENTS</b>			
K7910A	HYDRAULIC THUMB KIT K7870 Quick Coupler required	K2K039A08	195	\$2,683.00
K7461	24 INCH EXCAVATING RAKE, QUICK ATTACH	K1K720A64	300	\$2,264.00
K7940	CANOPY WORK LIGHT KIT	K117A80	6	\$155.00
K7447	BEACON LIGHT KIT ( Enclosed Cab Use Only)	K221A16	4	\$291.00
K9784	TRAVEL ALARM KIT Emits an audible signal when traveling forward or reverse.	K222A68	1	\$293.00
K7984	SPARK ARRESTOR MUFFLER KIT Optional kit for use in close proximity with grass, brush, timber and similar cellulose materials with potential for ignition. Requires Heat Insulation Kit. 77700-06495	K380A76	10	\$501.00
<b>PART 4</b>	<b>ROPS / OPG (Top Guard, Level I)</b>			
K9786	REPLACEMENT 4-POST ROPS / OPG (Top Guard, Level I) CANOPY	K1K235A76	240	\$1,626.00
K9787	REPLACEMENT ROPS / OPG (Top Guard, Level I) CAB The K9787 cab is configured as a replacement for damaged factory mounted cabs. It does not include cabin electrical wiring, wiper motor, heater, or defroster. Refer to illustrated parts list to order these components.	K5K261A48	558	\$6,923.00
K7479	Cab Mirror Kit Includes two side mirrors, one for each side, one rear mirror, and attaching hardware	K222A68	11	\$293.00
K9943A	RETRACTABLE SEAT BELT OPTION (3") As required in some states for OSHA compliance	K60A80	3	\$80.00

**Available from Parts**

- 77700-06495 Heat Insulation Kit for Spark Arrestor Muffler
- 70000-00297 Block Heater Kit
- 77700-04753A Radio Kit AM/FM/ WB/ AUX (for Cab models Only)
- 77700-04754A Radio Kit AM/FM/ WB/ AUX/ USB/ iPod/ SAT (for Cab models ONLY)
- 77700-08686 Strobe Light, Class 2, LED, flashing strobe w/ vacuum magnetic mounting
- 77700-08687 Rotating Beacon, Class 1, Halogen (beacon light only) w/ magnetic mounting



# KUBOTA

## K Series KX040-4

### KX040-4 Hydraulic Excavator

#### FEATURES

Eco Plus System  
Auto Idler  
Rubber Or Steel Track Models  
ROPS/OPG (Top Guard, Level I) 4-Post Canopy or Air Conditioning Cab  
Suspension Seat  
Kubota 1 Hydraulic Pump Load Sensing System  
1 Variable Displacement Pump  
All Controls Hydraulic Pilot Controls  
Two Operating Pattern Selection System  
Accumulator  
Digital Control Panel  
Attachment Flow Presets, Service Alerts  
Standard Front Dozer Blade w/ Float  
Optional Float Angle Blade w/ Bolt-on Cutting Edge  
360 Degree Full Rotation  
70 Degree Left, 55 Degree Right Boom Swing  
17.2 gpm Adjustable Auxiliary Hydraulics Port 1  
Auxiliary Hydraulics Diverter Valve  
9.8 gpm Adjustable Auxiliary Hydraulics Port 2 Option  
Thumb Bracket and Relief Valves  
Five Second Quick Preheat System  
Key Switch Stop System  
Half Pitch Rubber Tracks  
Self-Bleed Fuel System  
Auto-Downshift Two Speed Travel System  
Swivel Negative Brake  
Travel Negative Brake  
Third Line

#### BASIC UNITS

KX040-4R1, Rubber Tracks, 4-Post ROPS/OPG (TOP GUARD, LEVEL I) Canopy, Dozer Blade  
KX040-4R1A, Rubber Tracks, ROPS/OPG (TOP GUARD, LEVEL I) Canopy, Angle Dozer Blade  
KX040-4R1T, Rubber Tracks, ROPS/OPG (TOP GUARD, LEVEL I) Canopy, 6-in-1 Dozer Blade  
KX040-4R1P, Rubber Tracks, 4-Post ROPS/OPG (TOP GUARD, LEVEL I), Canopy, Dozer Blade, SP2  
KX040-4R1AP, Rubber Tracks, 4-Post ROPS/OPG (TOP GUARD, LEVEL I) Canopy, Angle Dozer Blade, SP2  
KX040-4R1TP, Rubber Tracks, 4-Post ROPS/OPG (TOP GUARD, LEVEL I) Canopy, 6-in-1 Dozer Blade, SP2  
KX040-4R3, Rubber Tracks, Air Conditioned ROPS/OPG (TOP GUARD, LEVEL I) Cab, Dozer Blade  
KX040-4R3A, Rubber Tracks, Air Conditioned ROPS/OPG (TOP GUARD, LEVEL I) Cab, Angle Dozer Blade  
KX040-4R3T, Rubber Tracks, Air Conditioned ROPS/OPG (TOP GUARD, LEVEL I) Cab, 6-in-1 Dozer Blade  
KX040-4R3P, Rubber Tracks, Air Conditioned ROPS/OPG (TOP GUARD, LEVEL I) Cab, Dozer Blade, SP2  
KX040-4R3AP, Rubber Tracks, Air Conditioned ROPS/OPG (TOP GUARD, LEVEL I), Cab, Angle Dozer Blade, SP2  
KX040-4R3TP, Rubber Tracks, Air Conditioned ROPS/OPG (TOP GUARD, LEVEL I), Cab, 6-in-1 Dozer Blade, SP2  
KX040-4S1, Steel Tracks, 4-Post ROPS/OPG (TOP GUARD, LEVEL I) Canopy, Dozer Blade  
KX040-4S1A, Steel Tracks, 4-Post ROPS/OPG (TOP GUARD, LEVEL I) Canopy, Angle Dozer Blade  
KX040-4S1T, Steel Tracks, 4-Post ROPS/OPG (TOP GUARD, LEVEL I) Canopy, 6-in-1 Dozer Blade  
KX040-4S1P, Steel Tracks, 4-Post ROPS/OPG (TOP GUARD, LEVEL I) Canopy, Dozer Blade, SP2

#### BASIC UNITS (cont'd)

KX040-4S1P, Steel Tracks, 4-Post ROPS/OPG (TOP GUARD, LEVEL I) Canopy, Dozer Blade, SP2  
KX040-4S1AP, Steel Tracks, 4-Post ROPS/OPG (TOP GUARD, LEVEL I) Canopy, Angle Dozer Blade, SP2  
KX040-4S1TP, Steel Tracks, 4-Post ROPS/OPG (TOP GUARD, LEVEL I) Canopy, 6-in-1 Dozer Blade, SP2  
KX040-4S3, Steel Tracks, Air Conditioned ROPS/OPG (TOP GUARD, LEVEL I) Cab, Dozer Blade  
KX040-4S3A, Steel Tracks, ROPS/OPG (TOP GUARD, LEVEL I) Air Conditioned Cab, Angle Dozer Blade  
KX040-4S3T, Steel Tracks, ROPS/OPG (TOP GUARD, LEVEL I) Air Conditioned Cab, 6-in-1 Dozer Blade  
KX040-4S3P, Steel Tracks, Air Conditioned ROPS/OPG (TOP GUARD, LEVEL I) Cab, Dozer Blade, SP2  
KX040-4S3AP, Steel Tracks, ROPS/OPG (TOP GUARD, LEVEL I) Air Conditioned Cab, Angle Dozer Blade, SP2  
KX040-4S3TP, Steel Tracks, ROPS/OPG (TOP GUARD, LEVEL I) Air Conditioned Cab, 6-in-1 Dozer Blade, SP2

#### DIMENSIONS AND OPERATING WEIGHT

KX040-4R1, Rubber Tracks, 4-Post ROPS/OPG (TOP GUARD, LEVEL I) Canopy, Dozer Blade  
Overall Length 16' 8.2"  
Overall Width 5' 6.9"  
Overall Height 8' 1.8"  
Operating Weight\* 9,195 lbs.  
Ground Clearance 12.9"

KX040-4R3A, Rubber Tracks, Air Conditioned ROPS/OPG (TOP GUARD, LEVEL I) Cab, Angle Dozer Blade  
Overall Length 16' 8.1"  
Overall Width 5' 6.9"  
Overall Height 8' 1.8"  
Operating Weight\* 9,855 lbs.  
Ground Clearance 12.9"  
\* Includes operator's weight, 175 lbs.

#### ENGINE

D1803 Kubota DI CRS Turbo Tier 4 Diesel Engine  
3 Cylinder, 4 Cycle ; 40.4 Gross HP, 38.9 Net HP  
@ 2200 rpm (SAE J1995 & J1349 Respectively)

#### OPERATIONAL DIMENSIONS

Max Digging Depth 11' 2.7"  
Max Digging Radius @ Ground Level 17' 9.0"  
Max Vertical Digging Depth 7' 4.8"  
Max Dumping Height 12' 9.5"

#### STANDARD DOZER BLADE DIMENSIONS

Width 66.9"  
Height 15.75"  
Lift Above Ground 15.17"  
Drop Below Ground 15.94"

#### PERFORMANCE

Digging Force @ Bucket (K7875) 9,535 lbs.  
Digging Force @ Dipper Arm 4,112 lbs.  
Travel Speed (Low/ High) 1.8/3.1 mph  
Climbing Ability 36% / 20°  
Lift Capacity 4,080 lbs.  
• Over Front, Blade Grounded  
• 2.0 ft. Load Point Height, 8.0 ft. Load radius

# KUBOTA

## K Series KX040-4

### HOW TO SELECT A KX040-4 EXCAVATOR (Sample Order Information Page)

Below are examples of a complete KX040-4 order. To submit your order, please select the Basic Unit Model that you desire from Part 1. Then select the attachments from Parts 2 and 3 needed to complete your order.

STEP 1)	Select from Part 1 the Basic Unit that fits your needs. For example, choose a KX040-4R1 and get: Base Model, rubber tracks, 4-post ROPS/OPG (Top Guard, Level I) canopy, dozer blade, dipper arm and counterweight.
STEP 2)	Select from Parts 2 and 3 the attachments necessary to make the unit a complete machine. Choose buckets and quick couplers, thumb or hydraulic breaker.

(SAMPLE ORDER)

ORDER CODE	DESCRIPTION	FACTORY NUMBER	APPROX. SHIP WT.	SUGGESTED LIST PRICE
<b>STANDARD UNIT KX040-4R1 COMPLETE ORDER AND PRICE</b>				
<b>BASIC UNIT:</b>				
KX040-4R1	Excavator Basic Unit	K40K957A92	9,370	\$53,892.00
	With: Rubber Tracks			
	4-Post ROPS/OPG (Top Guard, Level I) Canopy			
	Dozer Blade			
	Dipper arm			
	Counterweight			
<b>ATTACHMENTS:</b>				
K7864A	24" 4.30 cu. ft. 3-Hole H. D. Bucket	K963A30	225	<u>\$1,235.00</u> \$55,127.00
<b>STANDARD UNIT KX040-4R3A COMPLETE ORDER AND PRICE</b>				
<b>BASIC UNIT:</b>				
KX040-4R3A	Excavator Basic Unit	K47K893A68	9,370	\$63,018.00
	With: Rubber Tracks			
	Air Conditioned ROPS/OPG (Top Guard, Level I) Cab			
	Angle Dozer Blade			
	Dipper arm			
	Counterweight			
<b>ATTACHMENTS:</b>				
K7870A	Quick Coupler	K720A48	75	\$948.00
K7875A	24" 4.25 cu. ft. Trenching Bucket	K996A36	240	\$1,311.00
K7910A	Hydraulic Thumb Kit	K2K039A08	195	<u>\$2,683.00</u> \$67,960.00

# KUBOTA

## K Series KX040-4

ORDER CODE	DESCRIPTION	FACTORY NUMBER	APPROX. SHIP WT.	SUGGESTED LIST PRICE
<b>PART 1</b>	<b>MODEL KX040-4 BASIC UNITS</b>			
<b>KX040-4R1</b>	<b>Excavator Basic Unit</b>	K40K957A92	9370	\$53,892.00
With:	Rubber Tracks, 4-Post ROPS/OPG (Top Guard, Level I) Canopy, Dozer Blade, Dipper Arm, Counterweight			
<b>KX040-4R1A</b>	<b>Excavator Basic Unit</b>	K42K950A64	9370	\$56,514.00
With:	Rubber Tracks, 4-Post ROPS/OPG (Top Guard, Level I) Canopy, Angle Dozer Blade, Dipper Arm, Counterweight			
<b>KX040-4R1T</b>	<b>Excavator Basic Unit</b>	K46K019A52	9,370	\$60,552.00
With:	Rubber Tracks, 4-Post ROPS/OPG (Top Guard, Level I) Canopy, 6-in-1 Dozer Blade, Dipper Arm, Counterweight			
<b>KX040-4R1P</b>	<b>Excavator Basic Unit</b>	K42K233A20	9370	\$55,570.00
With:	Rubber Tracks, 4-Post ROPS/OPG (Top Guard, Level I) Canopy, Dozer Blade, Dipper Arm, Counterweight, SP2			
<b>KX040-4R1AP</b>	<b>Excavator Basic Unit</b>	K44K225A92	9370	\$58,192.00
With:	Rubber Tracks, 4-Post ROPS/OPG (Top Guard, Level I) Canopy, Angle Dozer Blade, Dipper Arm, Counterweight, SP2			
<b>KX0404R1TP</b>	<b>Excavator Basic Unit</b>	K47K295A56	9,370	\$62,231.00
With:	Rubber Tracks, 4-Post ROPS/OPG (Top Guard, Level I) Canopy, 6-in-1 Dozer Blade, Dipper Arm, Counterweight, SP2			
<b>KX040-4R3</b>	<b>Excavator Basic Unit</b>	K45K900A20	9370	\$60,395.00
With:	Rubber Tracks, Air Conditioned ROPS/OPG (Top Guard, Level I) Cab, Dozer Blade, Dipper Arm, Counterweight			
<b>KX040-4R3A</b>	<b>Excavator Basic Unit</b>	K47K893A68	9370	\$63,018.00
With:	Rubber Tracks, Air Conditioned ROPS/OPG (Top Guard, Level I) Cab, Angle Dozer Blade, Dipper Arm, Counterweight			
<b>KX040-4R3T</b>	<b>Excavator Basic Unit</b>	K50K961A80	9,370	\$67,055.00
With:	Rubber Tracks, Air Conditioned ROPS/OPG (Top Guard, Level I) Cab, 6-in-1 Dozer Blade, Dipper Arm, Counterweight			
<b>KX040-4R3P</b>	<b>Excavator Basic Unit</b>	K47K175A48	9370	\$62,073.00
With:	Rubber Tracks, Air Conditioned ROPS/OPG (Top Guard, Level I) Cab, Dozer Blade, Dipper Arm, Counterweight, SP2			
<b>KX040-4R3AP</b>	<b>Excavator Basic Unit</b>	K49K168A96	9370	\$64,696.00
With:	Rubber Tracks, Air Conditioned ROPS/OPG (Top Guard, Level I) Cab, Angle Dozer Blade, Dipper Arm, Counterweight, SP2			
<b>KX0404R3TP</b>	<b>Excavator Basic Unit</b>	K52K237A84	9,370	\$68,734.00
With:	Rubber Tracks, Air Conditioned ROPS/OPG (Top Guard, Level I) Cab, 6-in-1 Dozer Blade, Dipper Arm, Counterweight, SP2			
<b>KX040-4S1</b>	<b>Excavator Basic Unit</b>	K42K153A40	9259	\$55,465.00
With:	Steel Tracks, 4-Post ROPS/OPG (Top Guard, Level I) Canopy, Dozer Blade, Dipper Arm, Counterweight			

# KUBOTA

## K Series KX040-4

ORDER CODE	DESCRIPTION	FACTORY NUMBER	APPROX. SHIP WT.	SUGGESTED LIST PRICE
<b>PART 1</b>	<b>MODEL KX040-4 BASIC UNITS (Cont.)</b>			
<b>KX040-4S1A</b>	<b>Excavator Basic Unit</b>	K44K146A12	9370	\$58,087.00
With:	Steel Tracks, 4-Post ROPS/OPG (Top Guard, Level I) Canopy, Angle Dozer Blade, Dipper Arm, Counterweight			
<b>KX040-4S1T</b>	<b>Excavator Basic Unit</b>	K47K215A00	9259	\$62,125.00
With:	Steel Tracks, 4-Post ROPS/OPG (Top Guard, Level I) Canopy, 6-in-1 Dozer Blade, Dipper Arm, Counterweight			
<b>KX040-4S1P</b>	<b>Excavator Basic Unit</b>	K43K428A68	9259	\$57,143.00
With:	Steel Tracks, 4-Post ROPS/OPG (Top Guard, Level I) Canopy, Dozer Blade, Dipper Arm, Counterweight, SP2			
<b>KX040-4S1AP</b>	<b>Excavator Basic Unit</b>	K45K422A16	9370	\$59,766.00
With:	Steel Tracks, 4-Post ROPS/OPG (Top Guard, Level I) Canopy, Angle Dozer Blade, Dipper Arm, Counterweight, SP2			
<b>KX0404S1TP</b>	<b>Excavator Basic Unit</b>	K48K490A28	9259	\$63,803.00
With:	Steel Tracks, 4-Post ROPS/OPG (Top Guard, Level I) Canopy, 6-in-1 Dozer Blade, Dipper Arm, Counterweight, SP2			
<b>KX040-4S3</b>	<b>Excavator Basic Unit</b>	K47K095A68	9350	\$61,968.00
With:	Steel Tracks, Air Conditioned ROPS/OPG (Top Guard, Level I) Cab, Dozer Blade, Dipper Arm, Counterweight			
<b>KX040-4S3A</b>	<b>Excavator Basic Unit</b>	K49K088A40	9370	\$64,590.00
With:	Steel Tracks, Air Conditioned ROPS/OPG (Top Guard, Level I) Cab, Angle Dozer Blade, Dipper Arm, Counterweight			
<b>KX040-4S3T</b>	<b>Excavator Basic Unit</b>	K52K157A28	9502	\$68,628.00
With:	Steel Tracks, Air Conditioned ROPS/OPG (Top Guard, Level I) Cab, 6-in-1 Dozer Blade, Dipper Arm, Counterweight			
<b>KX040-4S3P</b>	<b>Excavator Basic Unit</b>	K48K370A96	9350	\$63,646.00
With:	Steel Tracks, Air Conditioned ROPS/OPG (Top Guard, Level I) Cab, Dozer Blade, Dipper Arm, Counterweight, SP2			
<b>KX040-4S3AP</b>	<b>Excavator Basic Unit</b>	K50K364A44	9370	\$66,269.00
With:	Steel Tracks, Air Conditioned ROPS/OPG (Top Guard, Level I) Cab, Angle Dozer Blade, Dipper Arm, Counterweight, SP2			
<b>KX0404S3TP</b>	<b>Excavator Basic Unit</b>	K53K432A56	9370	\$70,306.00
With:	Steel Tracks, Air Conditioned ROPS/OPG (Top Guard, Level I) Cab, 6-in-1 Dozer Blade, Dipper Arm, Counterweight, SP2			

# KUBOTA

## K Series KX040-4

ORDER CODE	DESCRIPTION	FACTORY NUMBER	APPROX. SHIP WT.	SUGGESTED LIST PRICE
<b>PART 2</b>	<b>BUCKET OPTIONS</b>			
	<b>PIN-ON BUCKETS</b> (Order attaching pins from Parts)			
K7792A	12 inch 2.6 cu. ft. 3-Hole Bucket	K797A24	194	\$1,049.00
K7793	16 inch 2.80 cu. ft. 3-Hole Bucket	K856A52	220	\$1,127.00
K7794	18 inch 3.20 cu. ft. 3-Hole Bucket	K895A28	229	\$1,178.00
K7796	24 inch 4.50 cu. ft. 3-Hole Bucket	K987A24	265	\$1,299.00
K7797	30 inch 5.80 cu. ft. 3-Hole Bucket	K1K082A24	300	\$1,424.00
K9836A	36 inch 4.17 cu. ft. Drainage Bucket	K787A36	194	\$1,036.00
	<b>QUICK ATTACH BUCKETS</b>			
	<b>MECHANICAL QUICK ATTACH OPTIONS</b>			
K7870	QUICK COUPLER Curl hole and power hole built into quick coupler. Includes two mounting pins, 1 locking pin and hardware.	K753A92	75	\$992.00
K7870A	QUICK COUPLER Curl hole and power hole built into quick coupler. Includes two mounting pins, 1 locking pin and hardware.	K720A48	75	\$948.00
K9807	BUCKET HANGERS Set of 2 bucket ear blanks. Converts buckets to quick coupler style. Modification to match bucket contour required.	K297A92	49	\$392.00
K7872A	12 inch 2.13 cu. ft. Trenching Bucket	K736A44	160	\$969.00
K7873A	16 inch 2.83 cu. ft. Trenching Bucket	K771A40	185	\$1,015.00
K7874A	18 inch 3.19 cu. ft. Trenching Bucket  The K7874 bucket has four teeth. The K7910 Thumb tines contact the end of the teeth and do not mesh between the teeth.	K831A44	190	\$1,094.00
K7875A	24 inch 4.25 cu. ft. Trenching Bucket	K996A36	240	\$1,311.00
K7461	24" Excavating Rake	K1K720A64	300	\$2,264.00
K7876A	30 inch 5.31 cu. ft. Trenching Bucket	K1K098A20	265	\$1,445.00
K7546	36" Cemetery Bucket	K1K098A96	265	\$1,446.00
K7877B	36 inch 6.64 cu. ft. Smooth Grading Bucket If used with thumb, the tines meet below cutting edge	K905A92	230	\$1,192.00
K7458	36" Grading Blade	K1K246A40	270	\$1,640.00
K7473A	36 inch 3.0 cu. ft. TILT GRADING BUCKET Includes hoses and fittings. Tilts 45° each direction.	K3K382A00	305	\$4,450.00
K7454	39 inch 4.72 cu. ft. Tilt Grading Bucket Includes hoses and fittings. Tilts 45° each direction	K4K369A24	185	\$5,749.00
K7454A	39 inch 4.72 cu. ft. Tilt Grading Bucket Includes hoses and fittings. Tilts 45° each direction	K3K837A24	185	\$5,049.00

# KUBOTA

## K Series KX040-4

ORDER CODE	DESCRIPTION	FACTORY NUMBER	APPROX. SHIP WT.	SUGGESTED LIST PRICE
<b>KUBOTA KONNECT® (KK) QUICK COUPLER OPTIONS</b>				
K7100	KK Hydraulic Quick Coupler Base Kit Base coupler. Requires K7102 completion kit.	K1K739A64	72	\$2,289.00
K7102	KK Hydraulic Coupler Completion Kit Contains hoses, fittings, guards, electrical components required to complete K7100 Kit	K988A00	35	\$1,300.00
K7106	KK Mechanical Coupler Base Kit Mechanical operation only. Requires K7108 completion kit.	K951A52	63	\$1,252.00
K7108	KK Mechanical Coupler Completion Kit Contains components required to complete the K7106 kit.	K228A76	15	\$301.00
K7110	KK Hydraulic Upgrade Base Kit Converts the K106 Mechanical System to a KK Hydraulic System. Must also order the K7112	K928A72	18	\$1,222.00
K7112	KK Hydraulic Upgrade Completion Kit Contains hoses, fittings, guards, electrical components required to complete K7110 Kit	K943A16	25	\$1,241.00
K7116	12" 2.13 cu. ft. KK Quick Attach Trenching Bucket	K893A00	160	\$1,175.00
K7117	16" 2.83 cu. ft. KK Quick Attach Trenching Bucket	K923A40	185	\$1,215.00
K7118	18" 3.19 cu. ft. KK Quick Attach Trenching Bucket The K7118 bucket has four teeth. The K7902 Thumb tines contact the end of the teeth and do not mesh between the teeth.	K984A20	190	\$1,295.00
K7119	24" 4.25 cu. ft. KK Quick Attach Trenching Bucket	K1K150A64	240	\$1,514.00
K7125	24" KK Quick Attach Excavating Rake	K1K735A08	300	\$2,283.00
K7120	30" 5.31 cu. ft. KK Quick Attach Trenching Bucket	K1K301A12	265	\$1,712.00
K7121	36" 6.64 cu. ft. KK Quick Attach Drainage Bucket	K1K100A48	230	\$1,448.00
K7122	36" KK Quick Attach Grading Blade	K1K269A20	270	\$1,670.00
K7123	36" 3.0 cu. ft. KK Quick Attach Tilt Grading Bucket	K3K755A92	305	\$4,942.00
K7124	39" 4.72 cu. ft. KK Quick Attach Tilt Grading Bucket	K4K574A44	185	\$6,019.00
K7127	BUCKET HANGERS, CONTOURED BUCKETS Converts Mechanical Quick Attach Buckets to KK quick coupler style. Already contoured to match mechanical quick coupler bucket profile.	K332A88	24	\$438.00
K7128	BUCKET HANGERS, NON-CONTOURED BUCKETS Converts other brand buckets to KK quick coupler style. Modification to match bucket contour required.	K334A40	102	\$440.00

# KUBOTA

## K Series KX040-4

ORDER CODE	DESCRIPTION	FACTORY NUMBER	APPROX. SHIP WT.	SUGGESTED LIST PRICE
<b>PART 3 ATTACHMENTS</b>				
K7910A	HYDRAULIC THUMB KIT K7870 Quick Coupler required	K2K039A08	195	\$2,683.00
K7474A	36" Bolt On Cutting Edge For K7877B, K7473, K7121, or K7123 36" Buckets	K119A32	36	\$157.00
K7455A	39" Bolt On Cutting Edge For K7454 or K7124 39" Tilt Grading Bucket	K117A04	44	\$154.00
K7940	CANOPY WORK LIGHT KIT	K117A80	6	\$155.00
K7447	BEACON LIGHT KIT ( Enclosed Cab Use Only)	K221A16	4	\$291.00
K9929	STEEL CRAWLER KIT Convert tracks from rubber to steel	K2K998A96	439	\$3,946.00
K7927	TRAVEL ALARM KIT Emits an audible signal when traveling forward or reverse	K110A96	2	\$146.00
<b>PART 4 ROPS / OPG (Top Guard, Level I)</b>				
K9153	REPLACEMENT 4-POST ROPS / OPG (Top Guard, Level I) CANOPY	K1K475A16	250	\$1,941.00
K9152	REPLACEMENT ROPS / OPG (Top Guard, Level I) CAB The K9152 cab is configured as a replacement for damaged factory mounted cabs. It does not include cabin electrical wiring, wiper motor, heater, or defroster. Refer to illustrated parts list to order these components.	K6K496A48	390	\$8,548.00
K7479	Cab Mirror Kit Includes two side mirrors, one for each side, one rear mirror, and attaching hardware	K222A68	11	\$293.00
K9943A	RETRACTABLE SEAT BELT OPTION (3") As required in some states for OSHA compliance.	K60A80	3	\$80.00

# KUBOTA

## K Series KX040-4

### ALLIED ATTACHMENT CONTACTS

Flail Mower	Rockhound Attachments
Model 30EX	PO Box 22 Hughson, CA 95326 Tel: (800) 426-5615, Fax: (360) 230-2322 Website: <a href="http://www.Rockhound.com">http://www.Rockhound.com</a>

### Available from Parts

70000-00297 Block Heater Kit

77700-04753A Radio Kit AM/FM/ WB/ AUX (for Cab models Only)

77700-04754A Radio Kit AM/FM/ WB/ AUX/ USB/ iPod/ SAT (for Cab models ONLY)

77700-08686 Strobe Light, Class 2, LED, flashing strobe w/ vacuum magnetic mounting

77700-08687 Rotating Beacon, Class 1, Halogen (beacon light only) w/ magnetic mounting



# KUBOTA

## K Series U55-4

### U55-4 Tight Tail Swing Hydraulic Excavator

#### FEATURES

Eco Plus System  
 Auto Idler  
 Rubber Or Steel Track Models  
 4-Post ROPS/OPG (Top Guard Level I) Canopy or  
 Air Conditioned Cab  
 Suspension Seat  
 Kubota 3 Hydraulic Pump Load Sensing System  
 1 Gear, 2 Variable Displacement Pumps  
 All Controls Hydraulic Pilot Controls  
 Two Operating Pattern Selection System  
 Accumulator  
 Digital Control Panel  
 Attachment Flow Presets, Service Alerts  
 Standard Front Dozer Blade w/ Float  
 Optional Float Angle Blade w/ Bolt-on Cutting Edge  
 360 Degree Full Rotation  
 70 Degree Left, 55 Degree Right Boom Swing  
 19.8 gpm Adjustable Auxiliary Hydraulics Port 1  
 Auxiliary Hydraulics Diverter Valve  
 9.8 gpm Adjustable Auxiliary Hydraulics Port 2 Option  
 Thumb Bracket And Relief Valves  
 Five Second Quick Preheat System  
 Key Switch Stop System  
 Half Pitch Rubber Tracks  
 Self-Bleed Fuel System  
 Auto-Downshift Two Speed Travel System  
 Swivel Negative Brake  
 Travel Negative Brake  
 Third Line

#### BASIC UNITS

U55-4R1, Rubber Tracks, ROPS/OPG (Top Guard, Level I) Canopy, Dozer Blade, Dipper Arm, Counterweight  
 U55-4R1P, Rubber Tracks, ROPS/OPG (Top Guard, Level I) Canopy, Dozer Blade, Dipper Arm, Counterweight, SP2  
 U55-4R1A, Rubber Tracks, ROPS/OPG (Top Guard, Level I) Canopy, Angle Dozer Blade, Dipper Arm, Counterweight  
 U55-4R1AP, Rubber Tracks, ROPS/OPG (Top Guard, Level I) Canopy, Angle Dozer Blade, Dipper Arm, Counterweight, SP2  
 U55-4R3, Rubber Tracks, A/C ROPS/OPG (Top Guard, Level I) Cab, Dozer Blade, Dipper Arm, Counterweight  
 U05-4R3P, Rubber Tracks, A/C ROPS/OPG (Top Guard, Level I) Cab, Dozer Blade, Dipper Arm, Counterweight, SP2  
 U55-4R3A, Rubber Tracks, A/C ROPS/OPG (Top Guard, Level I) Cab, Angle Dozer Blade, Dipper Arm, Counterweight  
 U55-4R3AP, Rubber Tracks, A/C ROPS/OPG (Top Guard, Level I) Cab, Angle Dozer Blade, Dipper Arm, Counterweight, SP2  
 U55-4S3A, Steel Tracks, A/C ROPS/OPG (Top Guard, Level I) Cab, Angle Dozer Blade, Dipper Arm, Counterweight  
 U55-4S3AP, Steel Tracks, A/C ROPS/OPG (Top Guard, Level I) Cab, Angle Dozer Blade, Dipper Arm, Counterweight, SP2

#### ENGINE

V2607 Kubota DI CRS Tier 4 Final Diesel Engine  
 4 Cylinder, 4 Cycle  
 47.6 Gross HP @ 2200 rpm (SAE J1995)  
 45.2 Net HP @ 2200 rpm (SAE J1349)

#### OPERATIONAL DIMENSIONS

Max Digging Depth	11' 10.3"
Max Digging Radius @ Ground Level	19' 6.1"
Max Vertical Digging Depth	4' 11.6"
Max Dumping Height	13' 2.3"

#### STANDARD DOZER BLADE DIMENSIONS

Width	77.2"
Height	16.1"
Lift Above Ground	17.3"
Drop Below Ground	16.1"

#### PERFORMANCE

Digging Force @ Bucket (K7919)	11,177 lbs.
Digging Force @ Dipper Arm	6,261 lbs.
Travel Speed (Low/High)	1.8/3.1 mph
Climbing Ability	36% / 20°
Lift Capacity	3,700 lbs.
<ul style="list-style-type: none"> <li>Over Front</li> <li>Blade Grounded</li> <li>4.0 Ft. Load Point Height</li> <li>12.0 Ft. Load Radius</li> </ul>	

#### DIMENSIONS AND OPERATING WEIGHT

U55-4R1, Rubber Tracks, ROPS/OPG (Top Guard Level I) Canopy, Dozer Blade, Dipper Arm, Counterweight

Overall Length	18' 1.3"
Overall Width	6' 5.2"
Overall Height	8' 4.4"
Operating Weight*	11,915 lbs.
Ground Clearance	12' 0.2"

U55-4R3AP, Rubber Tracks, ROPS/OPG (Top Guard Level I) A/C Cab, Angle Dozer Blade, Dipper Arm, Counterweight, SP2

Overall Length	18' 1.3"
Overall Width	6' 5.2"
Overall Height	8' 4"
Operating Weight*	12,535 lbs.
Ground Clearance	12.0.2"

\* Includes operator's weight, 175 lbs.

# KUBOTA

## K Series U55-4

### HOW TO SELECT A U55-4 EXCAVATOR (Sample Order Information Page)

Below are examples of a complete U55-4 order. To submit your order, please select the Basic Unit Model that you desire from Part 1. Then select the attachments from Parts 2 and 3 needed to complete your order.

STEP 1)	Select from Part 1 the Basic Unit that fits your needs. For example, choose a U55-4R1 and get: Base Model, rubber tracks, 4-post ROPS/OPG (Top Guard Level I) Canopy, dozer blade, dipper arm, counterweight, and one service port
STEP 2)	Select from Parts 2 and 3 the attachments necessary to make the unit a complete machine. Choose buckets and quick couplers, thumb or hydraulic breaker.

(SAMPLE ORDER)

ORDER CODE	DESCRIPTION	FACTORY NUMBER	APPROX. SHIP WT.	SUGGESTED LIST PRICE
<b>STANDARD UNIT U55-4R1 COMPLETE ORDER AND PRICE</b>				
<b>BASIC UNIT:</b>				
U55-4R1	Excavator Basic Unit	K50K343A92	12,535	\$66,242.00
	With: Rubber Tracks			
	4-Post ROPS/OPG (Top Guard, Level I) Canopy			
	Dozer Blade			
	Dipper arm			
	Counterweight			
	One Service Port			
<b>ATTACHMENTS:</b>				
K7915A	Quick Coupler	K722A00	96	\$950.00
K7919A	24" 6.3 cu. ft. Trenching Bucket	K971A28	180	\$1,278.00
				<u>\$68,470.00</u>
<b>STANDARD UNIT U55-4R3AP COMPLETE ORDER AND PRICE</b>				
<b>BASIC UNIT:</b>				
U55-4R3AP	Excavator Basic Unit	K58K793A60	12,535	\$77,360.00
	With: Rubber Tracks			
	Air Conditioned ROPS/OPG (Top Guard, Level I) Cab			
	Angle Dozer Blade			
	Dipper arm			
	Counterweight			
	Two Service Ports			
<b>ATTACHMENTS:</b>				
K7915A	Quick Coupler	K722A00	96	\$950.00
K7937A	Hydraulic Thumb	K1K711A52	195	\$2,252.00
K7919A	24" 6.3 cu. ft. Trenching Bucket	K971A28	180	\$1,278.00
				<u>\$81,840.00</u>

# KUBOTA

## K Series U55-4

ORDER CODE	DESCRIPTION	FACTORY NUMBER	APPROX. SHIP WT.	SUGGESTED LIST PRICE
<b>PART 1</b>	<b>MODEL U55 BASIC UNITS</b>			
<b>U55-4R1</b>	<b>Excavator Basic Unit</b>	K50K343A92	12,535	\$66,242.00
With:	Rubber Tracks, 4-Post ROPS/OPG (Top Guard, Level I) Canopy, Dozer Blade, Dipper Arm, Counterweight			
<b>U55-4R1P</b>	<b>Excavator Basic Unit</b>	K51K619A20	12,535	\$67,920.00
With:	Rubber Tracks, 4-Post ROPS/OPG (Top Guard, Level I) Canopy, Dozer Blade, Dipper Arm, Counterweight, SP2			
<b>U55-4R1A</b>	<b>Excavator Basic Unit</b>	K52K575A28	12,535	\$69,178.00
With:	Rubber Tracks, 4-Post ROPS/OPG (Top Guard, Level I) Canopy, Angle Blade, Dipper Arm, Counterweight			
<b>U55-4R1AP</b>	<b>Excavator Basic Unit</b>	K53K851A32	12,535	\$70,857.00
With:	Rubber Tracks, 4-Post ROPS/OPG (Top Guard, Level I) Canopy, Angle Blade, Dipper Arm, Counterweight, SP2			
<b>U55-4R3</b>	<b>Excavator Basic Unit</b>	K55K286A20	12,535	\$72,745.00
With:	Rubber Tracks, A/C ROPS/OPG (Top Guard, Level I) Cab, Dozer Blade, Dipper Arm, Counterweight			
<b>U55-4R3P</b>	<b>Excavator Basic Unit</b>	K56K561A48	12,535	\$74,423.00
With:	Rubber Tracks, A/C ROPS/OPG (Top Guard, Level I) Cab, Dozer Blade, Dipper Arm, Counterweight, SP2			
<b>U55-4R3A</b>	<b>Excavator Basic Unit</b>	K57K518A32	12,535	\$75,682.00
With:	Rubber Tracks, A/C ROPS/OPG (Top Guard, Level I) Cab, Angle Blade, Dipper Arm, Counterweight			
<b>U55-4R3AP</b>	<b>Excavator Basic Unit</b>	K58K793A60	12,535	\$77,360.00
With:	Rubber Tracks, A/C ROPS/OPG (Top Guard, Level I) Cab, Angle Blade, Dipper Arm, Counterweight, SP2			
<b>U55-4S3A</b>	<b>Excavator Basic Unit</b>	K58K713A80	12,700	\$77,255.00
With:	Steel Tracks, A/C ROPS/OPG (Top Guard, Level I) Cab, Angle Blade, Dipper Arm, Counterweight			
<b>U55-4S3AP</b>	<b>Excavator Basic Unit</b>	K59K989A08	12,700	\$78,933.00
With:	Steel Tracks, A/C ROPS/OPG (Top Guard, Level I) Cab, Angle Blade, Dipper Arm, Counterweight, SP2			

# KUBOTA

## K Series U55-4

ORDER CODE	DESCRIPTION	FACTORY NUMBER	APPROX. SHIP WT.	SUGGESTED LIST PRICE
<b>PART 2</b>	<b>QUICK ATTACH BUCKETS</b>			
K7915A	Quick Coupler Includes two mounting pins, 1 locking pin and hardware.	K722A00	96	\$950.00
K7916	Bucket Hangers Set of two ear blanks. Converts buckets to quick coupler style. Modification to match bucket contour required.	K269A04	97	\$354.00
K7917A	12 inch 3.00 cu. ft. Trenching Bucket	K905A16	218	\$1,191.00
K7918A	18 inch 4.50 cu. ft. Trenching Bucket  The K7918A bucket has four teeth. The K7937A thumb tines contact the end of the teeth and do not mesh between the teeth.	K919A60	155	\$1,210.00
K7919A	24 inch 6.30 cu. ft. Trenching Bucket	K971A28	180	\$1,278.00
K7920A	30 inch 8.00 cu. ft. Trenching Bucket	K1K052A60	180	\$1,385.00
K7921A	36 inch 8.00 cu. ft. Trenching Bucket	K1K475A16	180	\$1,941.00
K7926	36 inch 3.48 cu. ft. Cemetery Bucket	K1K098A96	265	\$1,446.00
K7922A	36 inch 6.64 cu. ft. Drainage Bucket Pre-drilled for bolt on cutting edge.	K907A44	270	\$1,194.00
K7474A	Bolt On Cutting Edge for K7922A 36" Drainage Bucket	K119A32	36	\$157.00
K7924A	48 inch 8.50 cu. ft. Grading Bucket Pre-drilled for bolt on cutting edge. Not authorized for use on models with K7937A thumb.	K1K297A32	400	\$1,707.00
K7878A	Bolt On Cutting Edge for K7924 48" Grading Bucket	K159A60	51	\$210.00
<b>PART 3</b>	<b>ATTACHMENTS</b>			
K7937A	HYDRAULIC THUMB KIT K7915A Quick Coupler required.	K1K711A52	195	\$2,252.00
K7932	FROST RIPPER	K997A88	315	\$1,313.00
K7940	CANOPY WORK LIGHT KIT	K117A80	6	\$155.00
K7447	BEACON LIGHT KIT ( Enclosed Cab Use Only)	K221A16	4	\$291.00
K7927	TRAVEL ALARM KIT Emits an audible signal when traveling forward or reverse.	K110A96	2	\$146.00
K7938	Steel Crawler Kit Converts tracks from rubber to steel	K4K105A52	1298	\$5,402.00
<b>PART 4</b>	<b>ROPS / OPG (Top Guard, Level I)</b>			
K7935	REPLACEMENT 4-POST ROPS / OPG (Top Guard, Level I) CANOPY	K1K188A64	164	\$1,564.00
K7936	REPLACEMENT ROPS / OPG (Top Guard, Level I) CAB  The K7936 cab is configured as a replacement for damaged factory mounted cabs. It does not include cabin electrical wiring, wiper motor, air conditioner, heater, or defroster. Refer to illustrated parts list to order these components.	K5K058A56	390	\$6,656.00
K7479	Cab Mirror Kit Includes two side mirrors, one for each side, one rear mirror, and attaching hardware	K222A68	11	\$293.00
K9943A	RETRACTABLE SEAT BELT OPTION (3") As required in some states for OSHA compliance.	K60A80	3	\$80.00
V4218A	STROBE LIGHT KIT Cab pre-wired with switch. A new bracket must be created for the installation. See installation instructions.	K126A00	3	\$180.00

# KUBOTA

---

## K Series U55-4

---

### ALLIED ATTACHMENT CONTACTS

Flail Mower	Rockhound Attachments
Model 30EX	PO Box 22 Hughson, CA 95326 Tel: (800) 426-5615, Fax: (360) 230-2322 Website: <a href="http://www.Rockhound.com">http://www.Rockhound.com</a>

### Available from Parts

70000-73274 Block Heater Kit

77700-04753A Radio Kit AM/FM/ WB/ AUX (for Cab models Only)

77700-04754A Radio Kit AM/FM/ WB/ AUX/ USB/ iPod/ SAT (for Cab models ONLY)

77700-08686 Strobe Light, Class 2, LED, flashing strobe w/ vacuum magnetic mounting

77700-08687 Rotating Beacon, Class 1, Halogen (beacon light only) w/ magnetic mounting

# KUBOTA

---

This page intentionally left blank.

# KUBOTA

## K Series KX057-4

### KX057-4 Hydraulic Excavator

#### FEATURES

Eco Plus System  
 Auto Idler  
 Rubber Or Steel Track Models  
 4-Post ROPS/OPG (Top Guard, Level I) Canopy or Air  
 Conditioned Cab  
 Suspension Seat  
 Kubota 3 Hydraulic Pump Load Sensing System  
 1 Gear, 2 Variable Displacement Pumps  
 All Controls Hydraulic Pilot Controls  
 Two Operating Pattern Selection System  
 Accumulator  
 Digital Control Panel  
 Attachment Flow Presets, Service Alerts  
 Standard Front Dozer Blade w/ Float  
 Optional Float Angle Blade w/ Bolt-on Cutting Edge  
 360 Degree Full Rotation  
 70 Degree Left, 55 Degree Right Boom Swing  
 19.8 gpm Adjustable Auxiliary Hydraulics Port 1  
 Auxiliary Hydraulics Diverter Valve  
 9.8 gpm Adjustable Auxiliary Hydraulics Port 2 Option  
 Thumb Bracket And Relief Valves  
 Five Second Quick Preheat System  
 Key Switch Stop System  
 Half Pitch Rubber Tracks  
 Self Bleed Fuel System  
 Auto-Downshift Two Speed Travel System  
 Swivel Negative Brake  
 Travel Negative Brake  
 Third Line

#### BASIC UNITS

KX057-4R1, Rubber Tracks, ROPS/OPG (Top Guard, Level I)  
 Canopy, Dozer Blade, Dipper Arm, Counterweight  
 KX057-4R1P, Rubber Tracks, ROPS/OPG (Top Guard,  
 Level I) Canopy, Dozer Blade, Dipper Arm,  
 Counterweight, SP2  
 KX057-4R1A, Rubber Tracks, ROPS/OPG (Top Guard,  
 Level I) Canopy, Angle Dozer Blade, Dipper Arm,  
 Counterweight  
 KX057-4R1AP, Rubber Tracks, ROPS/OPG (Top Guard, Level I)  
 Canopy, Angle Dozer Blade, Dipper Arm, Counterweight, SP2  
 KX057-4R3, Rubber Tracks, A/C ROPS/OPG (Top Guard,  
 Level I) Cab, Dozer Blade, Dipper Arm, Counterweight  
 KX057-4R3P, Rubber Tracks, A/C ROPS/OPG (Top Guard,  
 Level I) Cab, Dozer Blade, Dipper Arm, Counterweight, SP2  
 KX057-4R3A, Rubber Tracks, A/C ROPS/OPG (Top Guard,  
 Level I) Cab, Angle Dozer Blade, Dipper Arm, Counterweight,  
 KX057-4R3AP, Rubber Tracks, A/C ROPS/OPG (Top Guard,  
 Level I) Cab, Angle Dozer Blade, Dipper Arm, Counterweight,  
 SP2  
 KX057-4S3A, Steel Tracks, A/C ROPS/OPG (Top Guard,  
 Level I) Cab, Angle Dozer Blade, Dipper Arm,  
 Counterweight  
 KX057-4S3AP, Steel Tracks, A/C ROPS/OPG (Top Guard,  
 Level I) Cab, Angle Dozer Blade, Dipper Arm,  
 Counterweight, SP2

#### ENGINE

V2607 Kubota DI CRS Tier 4 Final Diesel Engine  
 4 Cylinder, 4 Cycle  
 47.6 Gross HP @ 2200 rpm (SAE J1995)  
 45.2 Net HP @ 2200 rpm (SAE J1349)

#### OPERATIONAL DIMENSIONS

Max Digging Depth	12' 8.2"
Max Digging Radius @ Ground Level	20' 0.5"
Max Vertical Digging Depth	5' 7.3"
Max Dumping Height	13' 8.6"

#### STANDARD DOZER BLADE DIMENSIONS

Width	77.2"
Height	16.1"
Lift Above Ground	17.3"
Drop Below Ground	16.1"

#### PERFORMANCE

Digging Force @ Bucket (K7919)	11,177 lbs.
Digging Force @ Dipper Arm	5,644 lbs.
Travel Speed (Low / High)	1.8/3.1 mph
Climbing Ability	36% / 20°
Lift Capacity	3,410 lbs.

- Over Front
- Blade Grounded
- 4.0 Ft. Load Point Height
- 12.0 Ft. Load Radius

#### DIMENSIONS AND OPERATING WEIGHT

KX057-4R1, Rubber Tracks, ROPS/OPG (Top Guard, Level I) Canopy, Dozer Blade, Dipper Arm, Counterweight	
Overall Length	18' 1.3"
Overall Width	6' 5.2"
Overall Height	8' 4.4"
Operating Weight*	12,200 lbs.
Ground Clearance	12' 0.2"
KX057-4R3AP, Rubber Tracks, ROPS/OPG (Top Guard, A/C Cab, Angle Dozer Blade, Dipper Arm, Counterweight, SP2	
Overall Length	18' 1.3"
Overall Width	6' 5.2"
Overall Height	8' 4"
Operating Weight*	12,820 lbs.
Ground Clearance	12.0.2"

\* Includes operator's weight, 175 lbs.

# KUBOTA

## K Series KX057-4

### HOW TO SELECT A KX057-4 EXCAVATOR (Sample Order Information Page)

Below are examples of a complete KX057-4 order. To submit your order, please select the Basic Unit Model that you desire from Part 1. Then select the attachments from Parts 2 and 3 needed to complete your order.

STEP 1)	Select from Part 1 the Basic Unit that fits your needs. For example, choose a KX057-4R1 and get: Base Model, rubber tracks, 4-post ROPS/OPG (Top Guard, Level I) canopy, dozer blade, dipper arm, counterweight, and one service port
STEP 2)	Select from Parts 2 and 3 the attachments necessary to make the unit a complete machine. Choose buckets and quick couplers, thumb or hydraulic breaker.

(SAMPLE ORDER)

ORDER CODE	DESCRIPTION	FACTORY NUMBER	APPROX. SHIP WT.	SUGGESTED LIST PRICE
<b>STANDARD UNIT KX057-4R1 COMPLETE ORDER AND PRICE</b>				
<b>BASIC UNIT:</b>				
KX057-4R1	Excavator Basic Unit	K53K691A72	12,820	\$70,647.00
	With:			
	Rubber Tracks			
	4-Post ROPS/OPG (Top Guard, Level I) Canopy			
	Dozer Blade			
	Dipper arm			
	Counterweight			
	One Service Port			
<b>ATTACHMENTS:</b>				
K7915A	Quick Coupler	K722A00	96	\$950.00
K7919A	24" 6.3 cu. ft. Trenching Bucket	K971A28	180	\$1,278.00
				<u>\$72,875.00</u>
<b>STANDARD UNIT KX057-4R3AP COMPLETE ORDER AND PRICE</b>				
<b>BASIC UNIT:</b>				
KX057-4R3AP	Excavator Basic Unit	K61K630A68	12,820	\$81,093.00
	With:			
	Rubber Tracks			
	Air Conditioned ROPS/OPG (Top Guard, Level I) Cab			
	Angle Dozer Blade			
	Dipper arm			
	Counterweight			
	Two Service Ports			
<b>ATTACHMENTS:</b>				
K7915A	Quick Coupler	K722A00	96	\$950.00
K7937A	Hydraulic Thumb	K1K711A52	195	\$2,252.00
K7919A	24" 6.3 cu. ft. Trenching Bucket	K971A28	180	\$1,278.00
				<u>\$85,573.00</u>



# KUBOTA

## K Series KX057-4

ORDER CODE	DESCRIPTION	FACTORY NUMBER	APPROX. SHIP WT.	SUGGESTED LIST PRICE
<b>PART 1</b>	<b>MODEL KX057-4 BASIC UNITS</b>			
<b>KX057-4R1</b>	<b>Excavator Basic Unit</b> With: Rubber Tracks, 4-Post ROPS/OPG (Top Guard, Level I) Canopy, Dozer Blade, Dipper Arm, Counterweight	K53K691A72	12,820	\$70,647.00
<b>KX057-4R1P</b>	<b>Excavator Basic Unit</b> With: Rubber Tracks, 4-Post ROPS/OPG (Top Guard, Level I) Canopy, Dozer Blade, Dipper Arm, Counterweight, SP2	K54K967A00	12,820	\$72,325.00
<b>KX057-4R1A</b>	<b>Excavator Basic Unit</b> With: Rubber Tracks, 4-Post ROPS/OPG (Top Guard, Level I) Canopy, Angle Blade, Dipper Arm, Counterweight	K55K923A84	12,820	\$73,584.00
<b>KX057-4R1AP</b>	<b>Excavator Basic Unit</b> With: Rubber Tracks, 4-Post ROPS/OPG (Top Guard, Level I) Canopy, Angle Blade, Dipper Arm, Counterweight, SP2	K57K199A12	12,820	\$75,262.00
<b>KX057-4R3</b>	<b>Excavator Basic Unit</b> With: Rubber Tracks, A/C ROPS/OPG (Top Guard, Level I) Cab, Dozer Blade, Dipper Arm, Counterweight	K58K634A00	12,820	\$77,150.00
<b>KX057-4R3P</b>	<b>Excavator Basic Unit</b> With: Rubber Tracks, A/C ROPS/OPG (Top Guard, Level I) Cab, Dozer Blade, Dipper Arm, Counterweight, SP2	K59K910A04	12,820	\$78,829.00
<b>KX057-4R3A</b>	<b>Excavator Basic Unit</b> With: Rubber Tracks, A/C ROPS/OPG (Top Guard, Level I) Cab, Angle Blade, Dipper Arm, Counterweight	K60K866A12	12,820	\$80,087.00
<b>KX057-4R3AP</b>	<b>Excavator Basic Unit</b> With: Rubber Tracks, A/C ROPS/OPG (Top Guard, Level I) Cab, Angle Blade, Dipper Arm, Counterweight, SP2	K61K630A68	12,820	\$81,093.00
<b>KX057-4S3A</b>	<b>Excavator Basic Unit</b> With: Steel Tracks, A/C ROPS/OPG (Top Guard, Level I) Cab, Angle Blade, Dipper Arm, Counterweight	K62K062A36	12,820	\$81,661.00
<b>KX057-4S3AP</b>	<b>Excavator Basic Unit</b> With: Steel Tracks, A/C ROPS/OPG (Top Guard, Level I) Cab, Angle Blade, Dipper Arm, Counterweight, SP2	K62K826A92	12,820	\$82,667.00

# KUBOTA

## K Series KX057-4

ORDER CODE	DESCRIPTION	FACTORY NUMBER	APPROX. SHIP WT.	SUGGESTED LIST PRICE
<b>PART 2</b>	<b>QUICK ATTACH BUCKETS</b>			
K7915A	Quick Coupler Includes two mounting pins, 1 locking pin and hardware.	K722A00	96	\$950.00
K7916	Bucket Hangers Set of two ear blanks. Converts buckets to quick coupler style. Modification to match bucket contour required.	K269A04	97	\$354.00
K7917A	12 inch 3.00 cu. ft. Trenching Bucket	K905A16	218	\$1,191.00
K7918A	18 inch 4.50 cu. ft. Trenching Bucket  The K7918 bucket has four teeth. The K7937 thumb tines contact the end of the teeth and do not mesh between the teeth.	K919A60	155	\$1,210.00
K7919A	24 inch 6.30 cu. ft. Trenching Bucket	K971A28	180	\$1,278.00
K7920A	30 inch 8.00 cu. ft. Trenching Bucket	K1K052A60	180	\$1,385.00
K7921A	36 inch 8.00 cu. ft. Trenching Bucket	K1K475A16	180	\$1,941.00
K7926	36 inch 3.48 cu. ft. Cemetery Bucket	K1K098A96	265	\$1,446.00
K7922A	36 inch 6.64 cu. ft. Drainage Bucket Pre-drilled for bolt on cutting edge	K907A44	270	\$1,194.00
K7474A	Bolt On Cutting Edge for K7922 36" Drainage Bucket	K119A32	36	\$157.00
K7924A	48 inch 8.50 cu. ft. Grading Bucket Pre-drilled for bolt on cutting edge	K1K297A32	400	\$1,707.00
K7878A	Bolt On Cutting Edge for K7924A 48" Grading Bucket	K159A60	51	\$210.00
<b>PART 3</b>	<b>ATTACHMENTS</b>			
K7937A	HYDRAULIC THUMB KIT K7915 Quick Coupler required.	K1K711A52	195	\$2,252.00
K7932	FROST RIPPER	K997A88	315	\$1,313.00
K7940	CANOPY WORK LIGHT KIT	K117A80	6	\$155.00
K7447	BEACON LIGHT KIT ( Enclosed Cab Use Only)	K221A16	4	\$291.00
K7927	TRAVEL ALARM KIT Emits an audible signal when traveling forward or reverse.	K110A96	2	\$146.00
<b>PART 3</b>	<b>ATTACHMENTS (Cont.)</b>			
K7938	Steel Crawler Kit Converts tracks from rubber to steel	K4K105A52	1298	\$5,402.00
<b>PART 4</b>	<b>ROPS / OPG (Top Guard, Level I)</b>			
K7933	REPLACEMENT 4-POST ROPS / OPG (Top Guard, Level I) CANOPY	K1K188A64	250	\$1,564.00
K7934	REPLACEMENT ROPS / OPG (Top Guard, Level I) CAB The K7934 cab is configured as a replacement for damaged factory mounted cabs. It does not include cabin electrical wiring, wiper motor, air conditioner, heater, or defroster. Refer to illustrated parts list to order these components.	K5K058A56	390	\$6,656.00
K7479	Cab Mirror Kit Includes two side mirrors, one for each side, one rear mirror, and attaching hardware	K222A68	11	\$293.00
K9943A	RETRACTABLE SEAT BELT OPTION (3") As required in some states for OSHA compliance.	K60A80	3	\$80.00
V4218A	STROBE LIGHT KIT Cab pre-wired with switch. A new bracket must be created for the installation. See installation instructions.	K126A00	3	\$180.00

# KUBOTA

---

## K Series KX057-4

---

### ALLIED ATTACHMENT CONTACTS

Flail Mower Model 30EX	Rockhound Attachments PO Box 22 Hughson, CA 95326 Tel: (800) 426-5615, Fax: (360) 230-2322 Website: <a href="http://www.Rockhound.com">http://www.Rockhound.com</a>
---------------------------	---

### Available from Parts

- 70000-73274 Block Heater Kit
- 77700-04753A Radio Kit AM/FM/ WB/ AUX (for Cab models Only)
- 77700-04754A Radio Kit AM/FM/ WB/ AUX/ USB/ iPod/ SAT (for Cab models ONLY)
- 77700-08686 Strobe Light, Class 2, LED, flashing strobe w/ vacuum magnetic mounting
- 77700-08687 Rotating Beacon, Class 1, Halogen (beacon light only) w/ magnetic mounting

# KUBOTA

This page intentionally left blank.

# KUBOTA

## K Series KX080-4S

### KX080-4S Excavator Tight Tail Swing Utility Class Excavator

#### FEATURES

Eco e Plus System  
 Auto Idler  
 Rubber Or Steel Track Models  
 Air Conditioned ROPS/OPG (Top Guard, Level I) Cab  
 Cloth Suspension Seat  
 Kubota 2 Hydraulic Pump Load Sensing System  
 2 Variable Displacement Pumps  
 All Controls Hydraulic Pilot Controls  
 Two Operating Pattern Selection System  
 Accumulator  
 Standard Front Dozer Blade w/ Float  
 Optional Float Angle Blade w/ Bolt-on Cutting Edge  
 360 Degree Full Rotation  
 70 Degree Left, 60 Degree Right Boom Swing  
 17.6 gpm Adjustable Auxiliary Hydraulics Port 1  
 26.4 gpm Adjustable Auxiliary Hydraulics Port 2  
 Thumb Bracket and Relief Valves  
 Five Second Quick Preheat System  
 Key Switch Stop System  
 Half Pitch Rubber Tracks  
 Self-Bleed Fuel System  
 Auto-Downshift Two Speed Travel System  
 Swivel Negative Brake  
 Travel Negative Brake  
 Third Line

#### BASIC UNITS

KX080-4SR3, Rubber Tracks, Air Conditioned ROPS/OPG (Top Guard, Level I) Cab, Dozer Blade, Dipper Arm, Counter weight  
 KX080-4SR3A, Rubber Tracks, Air Conditioned ROPS/OPG (Top Guard, Level I) Cab, Angle Dozer Blade, Dipper Arm, Counter weight  
 KX080-4SS3, Steel Tracks, Air Conditioned ROPS/OPG (Top Guard, Level I) Cab, Dozer Blade, Dipper Arm, Counter weight  
 KX080-4SS3A, Steel Tracks, Air Conditioned ROPS/OPG (Top Guard, Level I) Cab, Angle Dozer Blade, Dipper Arm, Counter weight  
 KX080-4SW3, 24" Wide Steel Tracks, Air Conditioned ROPS/OPG (Top Guard, Level I) Cab, Wide Dozer Blade, Dipper Arm, Counter weight

#### ENGINE

V3307 Kubota DI CRS Turbo Tier 4 Final Diesel Engine  
 4 Cylinder, 4 Cycle  
 66.6 Gross HP @ 2000 rpm (SAE J1995)  
 62.3 Net HP @ 2200 rpm (SAE J1349)

#### OPERATIONAL DIMENSIONS

Max Digging Depth	15' 1"
Max Digging Radius @ Ground Level	23' 6.3"
Max Vertical Digging Depth	12' 7.6"
Max Dumping Height	17' 2.7"

#### DOZER BLADE DIMENSIONS

Width	86.6"
Height	19.7"
Lift Above Ground	19.7"
Drop Below Ground	19.7"

#### PERFORMANCE

Digging Force @ Bucket (K7427)	14,660 lbs.
Digging Force @ Dipper Arm	8,554 lbs.
Travel Speed (Low / High)	1.7/3.1mph
Climbing Ability	36% / 20°
Lift Capacity	6,500 lbs.
<ul style="list-style-type: none"> <li>Over Front</li> <li>Blade Grounded</li> <li>4.0 Ft. Load Point Height</li> <li>12.0 Ft. Load Radius</li> </ul>	

#### DIMENSIONS AND OPERATING WEIGHT

KX080-4SR3, Rubber Tracks, Air Conditioned ROPS/OPG (Top Guard, Level I) Cab, Dozer Blade, Dipper Arm, Counter weight	
Overall Length	21' 1.9"
Overall Width	7' 2.6"
Overall Height	8' 4"
Operating Weight*	18,280 lbs.
Ground Clearance	15.4"
KX080-4SS3, Steel Tracks, Air Conditioned ROPS/OPG (Top Guard, Level I) Cab, Dozer Blade, Dipper Arm, Counter weight	
Overall Length	21' 1.9"
Overall Width	7' 2.6"
Overall Height	8' 4"
Operating Weight*	18,390 lbs.
Ground Clearance	15.4"

\* Includes operator's weight, 175 lbs.

# KUBOTA

## K Series KX080-4S

### HOW TO SELECT A KX080-4S EXCAVATOR (Sample Order Information Page)

Below are examples of a complete KX080-4S order. To submit your order, please select the Basic Unit Model that you desire from Part 1. Then select the attachments from Parts 2 and 3 needed to complete your order.

STEP 1)	Select from Part 1 the Basic Unit that fits your needs. For example, choose a KX080-4SR3A and get: Base model, rubber tracks, air conditioned ROPS/OPG (Top Guard, Level I) cab, angle dozer blade, dipper arm, and counterweight.
STEP 2)	Select from Parts 2 and 3 the attachments necessary to make the unit a complete machine. Choose buckets and quick couplers, thumb or hydraulic breaker.

(SAMPLE ORDER)

ORDER CODE	DESCRIPTION	FACTORY	APPROX.	SUGGESTED
<b>STANDARD UNIT KX080-4SR3A COMPLETE ORDER AND PRICE</b>				
<b>BASIC UNIT:</b>				
<b>KX080-4SR3A</b>	<b>Excavator Basic Unit</b>	K85K943A84	19,026	\$113,084.00
With:	Rubber Tracks Air Conditioned ROPS/OPG (Top Guard, Level I) Cab Angle Dozer Blade Dipper arm Counterweight			
ATTACHMENTS:				
K7429A	36" 12.1 cu. ft. Pin-on TRENCHING BUCKET	K1K998A04	527	\$2,629.00
				\$115,713.00
<b>STANDARD UNIT KX080-4SS3 COMPLETE ORDER AND PRICE</b>				
<b>BASIC UNIT:</b>				
<b>KX080-4SS3</b>	<b>Excavator Basic Unit</b>	K81K719A76	19,026	\$107,526.00
With:	Steel Tracks (450 mm, 17.7") Air Conditioned ROPS/OPG (Top Guard, Level I) Cab Dozer Blade Dipper arm Counterweight			
ATTACHMENTS:				
K7402A	QUICK COUPLER	K1K243A36	140	\$1,636.00
K7429A	36" 12.1 cu. ft. TRENCHING BUCKET	K1K998A04	527	\$2,629.00
K7405A	HYDRAULIC THUMB	K3K253A56	370	\$4,281.00
				\$116,072.00

# KUBOTA

## K Series KX080-4S

ORDER CODE	DESCRIPTION	FACTORY	APPROX.	SUGGESTED
<b>PART 1</b>				
<b>MODEL KX080-4S BASIC UNITS</b>				
<b>KX080-4SR3</b>	<b>EXCAVATOR BASIC UNIT</b>	K81K719A76	19,026	\$107,526.00
With:	Rubber Tracks, Air Conditioned ROPS/OPG (Top Guard, Level I)			
<b>KX080-4SR3A</b>	<b>EXCAVATOR BASIC UNIT</b>	K85K943A84	19,026	\$113,084.00
With:	Rubber Tracks, Air Conditioned ROPS/OPG (Top Guard, Level I)			
<b>KX080-4SS3</b>	<b>EXCAVATOR BASIC UNIT</b>	K81K719A76	19,026	\$107,526.00
With:	Steel Tracks (450 mm, 17.7"), Air Conditioned ROPS/OPG (Top Guard, Level I) Cab, Dozer			
<b>KX080-4SS3A</b>	<b>EXCAVATOR BASIC UNIT</b>	K85K943A84	19,026	\$113,084.00
With:	Steel Tracks (450 mm, 17.7"), Air Conditioned ROPS/OPG (Top Guard, Level I) Cab, Angle Dozer Blade, Dipper Arm, Counterweight			
<b>KX080-4SW3</b>	<b>EXCAVATOR BASIC UNIT</b>	K84K668A56	19,026	\$111,406.00
With:	Wide Steel Tracks (600 mm, 24"), Air Conditioned ROPS/OPG (Top Guard, Level I) Cab, 92.5" Wide			
<b>PART 2</b>				
<b>BUCKETS</b>				
<b>PIN-ON BUCKETS (Order Attaching Pins from Parts)</b>				
K7416	18 inch 6.5 cu. ft. TRENCHING BUCKET	K1K516A96	405	\$1,996.00
K7417	24 inch 9.4 cu. ft. TRENCHING BUCKET	K1K949A40	460	\$2,565.00
K7418	30 inch 10.8 cu. ft. TRENCHING BUCKET	K2K164A48	505	\$2,848.00
K7419	36 inch 12.1 cu. ft. TRENCHING BUCKET	K2K411A48	539	\$3,173.00
K7436	48 inch 10.8 cu. ft. GRADING BUCKET	K2K241A24	565	\$2,949.00
K7437	54 inch 12.2 cu. ft. GRADING BUCKET	K2K343A84	615	\$3,084.00
K7438	60 inch 13.5 cu. ft. GRADING BUCKET	K2K408A44	665	\$3,169.00
<b>QUICK ATTACH BUCKETS</b>				
K7402A	QUICK COUPLER Includes two mounting pins, 1 locking pin, and hardware.	K1K243A36	140	\$1,636.00
K7407	BUCKET HANGERS Set of two ear blanks. Converts buckets to quick coupler style. Modification to match bucket contour required.	K392A92	139	\$517.00

# KUBOTA

## K Series KX080-4S

ORDER CODE	DESCRIPTION	FACTORY	APPROX.	SUGGESTED
<b>PART 2</b>	<b>QUICK ATTACH BUCKETS (continued)</b>			
K7426A	18 inch 6.5 cu. ft. TRENCHING BUCKET The K7426 bucket has four teeth. The K7405 thumb tines contact the end of the teeth and do not mesh between the teeth.	K1K379A40	393	\$1,815.00
K7427A	24 inch 9.4 cu. ft. TRENCHING BUCKET	K1K648A44	448	\$2,169.00
K7428A	30 inch 10.8 cu. ft. TRENCHING BUCKET	K1K789A80	493	\$2,355.00
K7429A	36 inch 12.1 cu. ft. TRENCHING BUCKET	K1K998A04	527	\$2,629.00
K7441	48 inch 10.8 cu. ft. GRADING BUCKET	K2K191A84	553	\$2,884.00
K7441A	48 inch 10.8 cu. ft. GRADING BUCKET	K1K886A32	553	\$2,482.00
K7442	54 inch 12.2 cu. ft. GRADING BUCKET K7494 Additional Weight Kit required with K7405A Thumb	K2K294A44	603	\$3,019.00
K7442A	54 inch 12.2 cu. ft. GRADING BUCKET K7494 Additional Weight Kit required with K7405A Thumb	K1K973A72	603	\$2,597.00
K7444	54 inch 9.6 cu. ft. TILT GRADING BUCKET Includes hoses and fittings. Tilts 45° each direction K7494 Additional Weight Kit required with K7405 Thumb	K6K623A40	850	\$8,715.00
K7444A	54 inch 9.6 cu. ft. TILT GRADING BUCKET Includes hoses and fittings. Tilts 45° each direction K7494 Additional Weight Kit required with K7405 Thumb	K5K815A52	850	\$7,652.00
K7443	60 inch 13.5 cu. ft. GRADING BUCKET K7494 Additional Weight Kit required with K7405 Thumb	K2K384A88	652	\$3,138.00
K7443A	60 inch 13.5 cu. ft. GRADING BUCKET K7494 Additional Weight Kit required with K7405A Thumb	K2K048A20	652	\$2,695.00
K7448	60 inch GRADING BLADE	K2K039A84	500	\$2,684.00
K7451	BOLT-ON CUTTING EDGE For K7436 and K7441 48" grading buckets	K146A68	79	\$193.00
K7451A	BOLT-ON CUTTING EDGE For K7436 and K7441 48" grading buckets	K126A16	79	\$166.00
K7452	BOLT-ON CUTTING EDGE For K7437, K7442, and K7444 54" grading buckets	K169A48	89	\$223.00
K7452A	BOLT-ON CUTTING EDGE For K7437, K7442, and K7444 54" grading buckets	K144A40	89	\$190.00
K7453	BOLT-ON CUTTING EDGE For K7438, and K7443 60" grading buckets	K183A16	109	\$241.00
K7453A	BOLT-ON CUTTING EDGE For K7438, and K7443 60" grading buckets	K157A32	109	\$207.00
K7405A	HYDRAULIC THUMB KIT K7402 quick coupler required	K3K253A56	370	\$4,281.00



# KUBOTA

## K Series KX080-4S

ORDER CODE	DESCRIPTION	FACTORY	APPROX.	SUGGESTED
<b>PART 3</b>	<b>ATTACHMENTS (Cont.)</b>			
K7449A	Brush Guard Kit	K2K567A28	300	\$3,378.00
K4080	FLAIL BRUSH SHREDDER Quick coupler mount, integrated thumb saddle, hoses, hydraulic	K13K847A96	1400	\$18,221.00
K4081	REPLACEMENT BLADE KIT FOR K4080 SHREDDER	K486A40	91	\$640.00
K7462	EXCAVATING RAKE, 36", Pin-on	K3K555A28	533	\$4,678.00
K7463	EXCAVATING RAKE, 36", Quick Attach	K3K406A32	555	\$4,482.00
K7464	EXCAVATING RAKE, 48", Pin-on	K3K895A76	720	\$5,126.00
K7465	EXCAVATING RAKE, 48", Quick Attach	K3K546A92	707	\$4,667.00
K7467	FROST RIPPER, 24", Pin-On	K1K282A12	315	\$1,687.00
K7466	FROST RIPPER, 24", Quick Attach	K1K231A20	295	\$1,620.00
K7468	SOLID TINE GRAPPLE, 36", Pin-on	K5K609A56	1015	\$7,381.00
K7471	COMPACTION WHEEL, 18", Pin-On	K5K087A44	980	\$6,694.00
K7472	COMPACTION WHEEL, 18", Quick Attach	K5K087A44	960	\$6,694.00
K7492	STEEL CRAWLER KIT (450 mm, 17.7") Convert tracks from rubber to steel***This Kit (7492) is <b>NOT</b> compatible with previous KX080-4. K7482A is required for previous model	K5K436A28	1877	\$7,153.00
K7481	REPLACEMENT BOLT-ON RUBBER SHOE KIT (450 mm, 17.7") Convert steel tracks to composite tracks. Machine must already have steel tracks installed. Includes 78 track shoes. <b>Removal of existing steel pads is required and these composite pads are installed in place of steel pads</b> (Individual pads can be ordered separate through parts if needed)	K4K794A84	300	\$6,309.00
K7439	BOLT ON RUBBER PAD KIT (450 mm, 17.7") Machine must be equipped with steel tracks. This kit includes 78 bolt on pads to be <b>installed on the existing steel grousers</b> (Individual pads can be ordered separate through parts if needed for individual replacement) Part #77700-09186	K3K502A08	300	\$4,608.00
K7493	STEEL CRAWLER KIT (600 mm, 23.6") Convert tracks from rubber to steel. The K7446 weld-on dozer blade extensions are recommended for the K7483A. Not authorized for angle blade models *** This Kit (K7493) is <b>NOT</b> compatible with previous KX080-4. K7483A is required for previous model	K5K902A92	300	\$7,767.00
K7446	DOZER BLADE EXTENSION KIT Kit consists of left / right blade extensions, two tie down labels, and an Installation Manual. The extensions are welded to the dozer blade to match the width of the K7493 Steel Track Conversion Kit.	K334A40	48	\$440.00
K7491	TRAVEL ALARM KIT Emits an audible signal when traveling forward or reverse. ***This Kit (K7491) is <b>NOT</b> compatible with previous KX080-4 K7445 is required for previous model	K97A28	1	\$128.00

# KUBOTA

## K Series KX080-4S

ORDER CODE	DESCRIPTION	FACTORY	APPROX.	SUGGESTED
K7494	ADDITIONAL WEIGHT KIT Bolts on to the existing counter weight. Increases minimum tail turning radius from 4' 9.5" to 4' 11" ***This Kit (K7494) is <b>NOT</b> compatible with previous KX080-4 K7459 is required for previous model	K826A88	440	\$1,112.00
K9798	Hydraulic Case Drain Kit This kit is an additional line that allows oil to return back to tank for the purpose of a motor case drain	K265A24	1	\$ 349.00
<b>PART 4</b> K7469B	<b>ROPS / OPG (Top Guard, Level I)</b> REPLACEMENT ROPS / OPG (Top Guard, Level I) CAB The K7469 cab is configured as a replacement for damaged factory mounted cabs. It does not include cabin electrical wiring, wiper motor, air conditioner, heater, or defroster. Refer to illustrated parts list to order these components. *** Fits previous KX080-4 model as well as KX080-4s Super Series	K7K055A08	463	\$9,283.00
V4218A	STROBE LIGHT KIT Cab pre-wired with switch. A new bracket must be created for the	K126A00	3	\$180.00
K9943A	RETRACTABLE SEAT BELT OPTION (3") As required in some states for OSHA compliance.  <b>Available from Parts</b> 77700-04753 Radio Kit AM/FM/ WB/ AUX 77700-04754 Radio Kit AM/FM/ WB/ AUX/ USB/ iPod/ SAT 77700-08686 Strobe Light, Class 2, LED, flashing strobe w/ vacuum magnetic mounting 77700-08687 Rotating Beacon, Class 1, Halogen (beacon light only) w/ magnetic mounting 77700-08260 Block Heater	K60A80	3	\$80.00
***** <b>Kit Numbers for Previous Model KX080-4</b> *****				
***** The Listed Kits <b>WILL NOT</b> interchange with the KX080-4S "Super Series" *****				
K7445	TRAVEL ALARM KIT ( For previous KX080-4) Emits an audible signal when traveling forward or reverse.	K66A12	1	\$87.00
K7459	ADDITIONAL WEIGHT KIT (For previous KX080-4) Bolts on to the existing counter weight. Increases minimum tail	K845A12	440	\$1,112.00

# KUBOTA

---

## K Series Replacement Engines

---

ORDER CODE	DESCRIPTION	FACTORY	APPROX.	SUGGESTED
------------	-------------	---------	---------	-----------

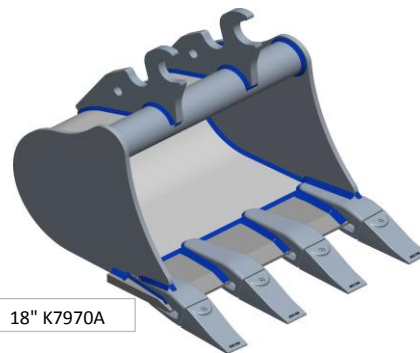
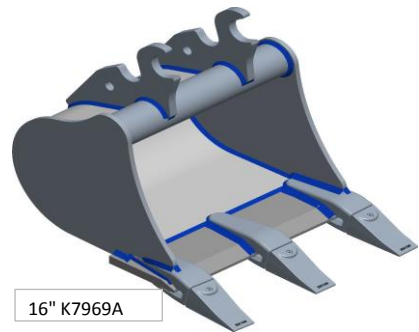
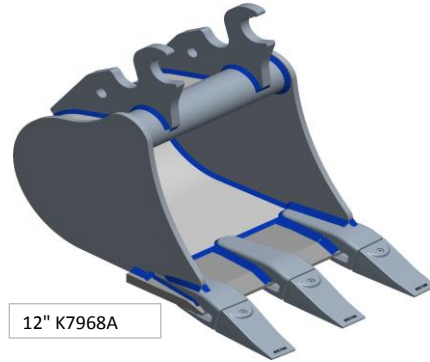
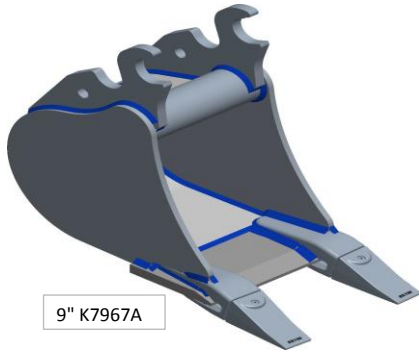
Effective June 6, 2014 all replacement engines must be ordered through the Parts Department.

See Parts Bulletin DPB-2014-011 R01

# KUBOTA

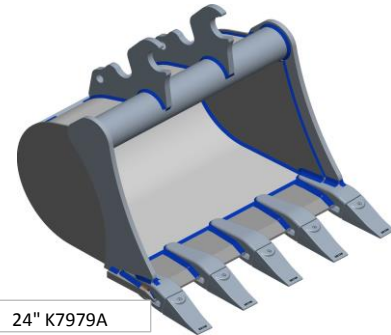
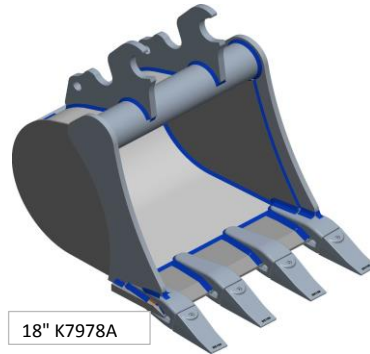
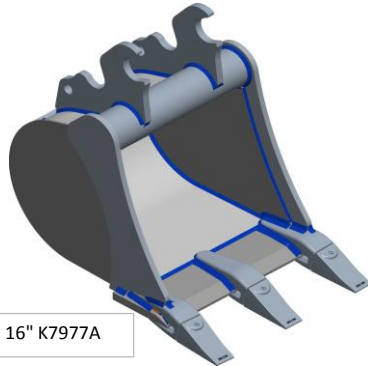
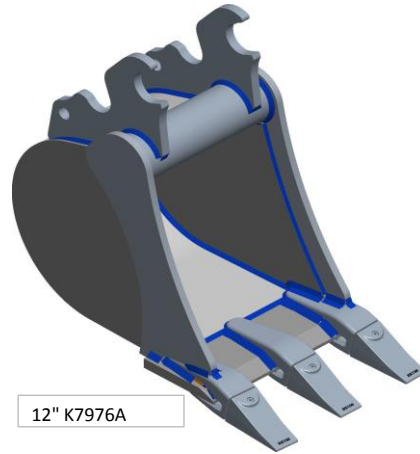
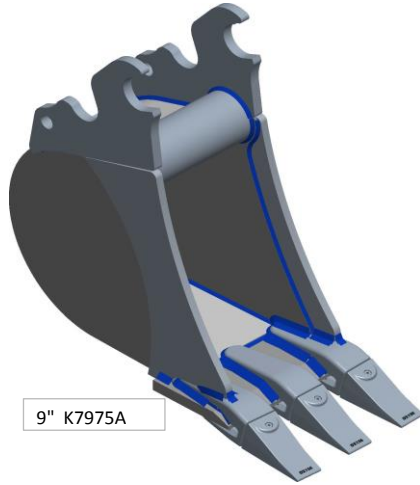
## K and U Series Buckets

### U17 & KX018-4 Popular Quick Attach Buckets



## K and U Series Buckets

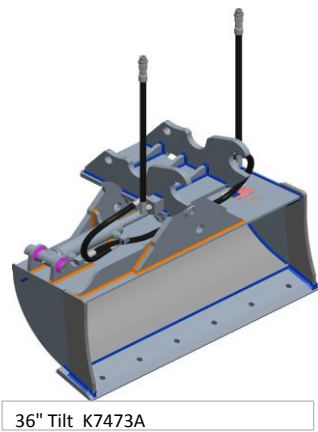
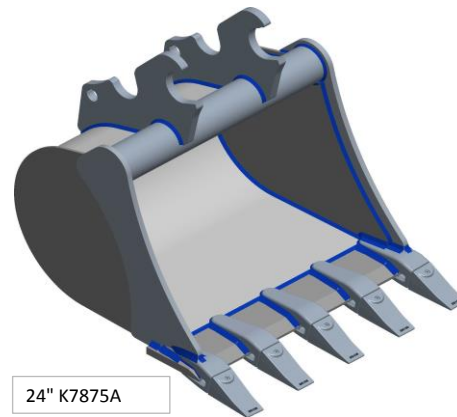
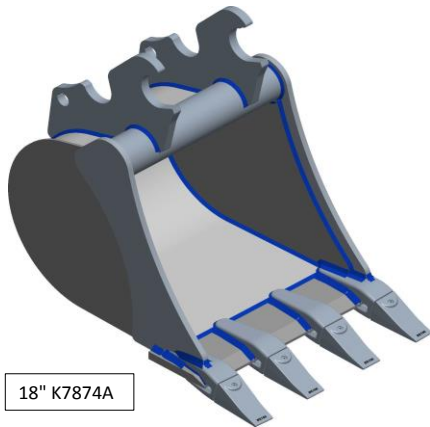
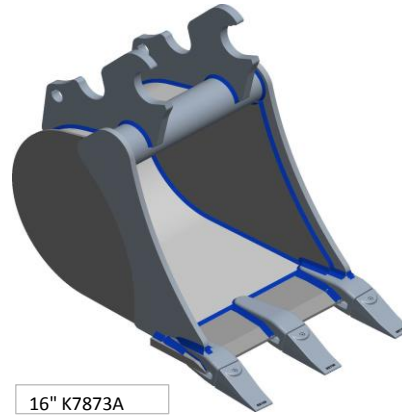
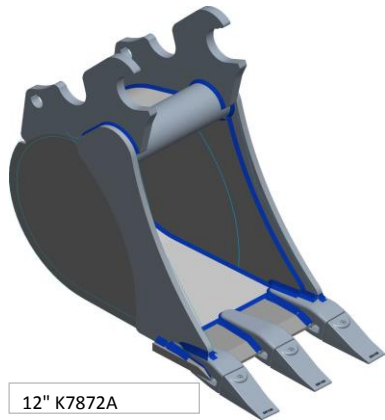
### U27-4 Popular Quick Attach Buckets



# KUBOTA

## K and U Series Buckets

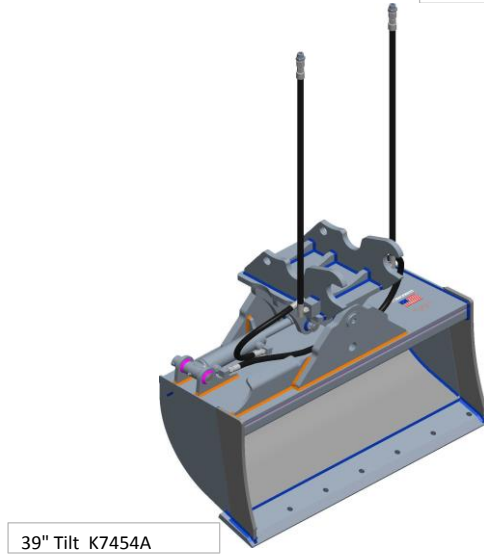
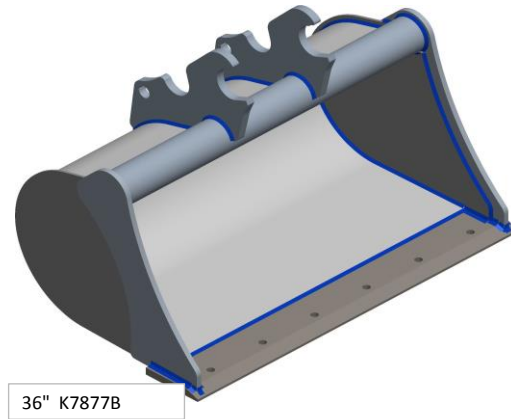
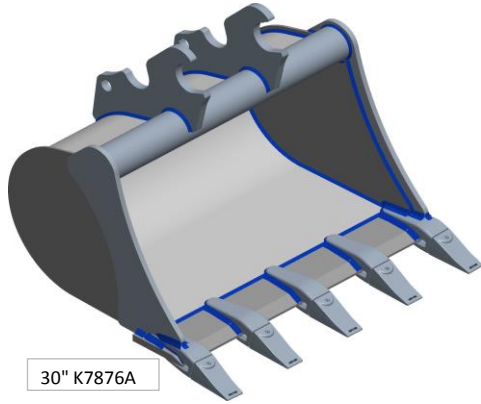
KX71-3, KX033-4, U35, KX040-4 Popular Quick Attach Buckets



# KUBOTA

## K and U Series Buckets

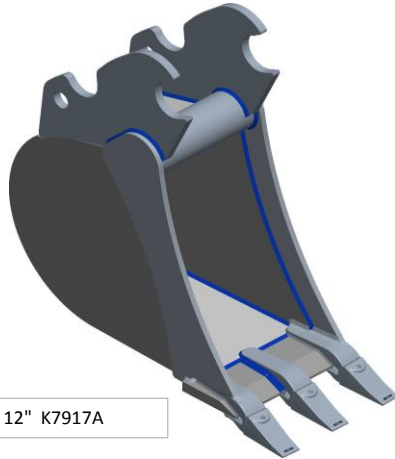
Approved Buckets for KX040-4 Application **ONLY**



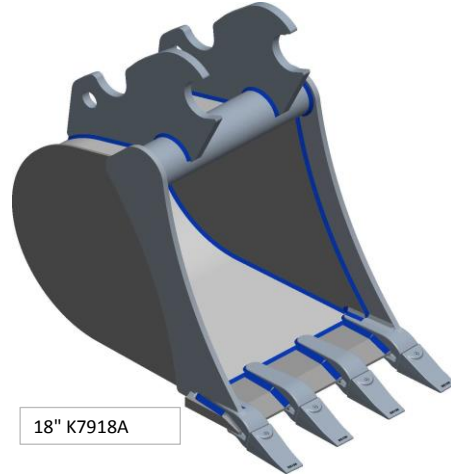
# KUBOTA

## K and U Series Buckets

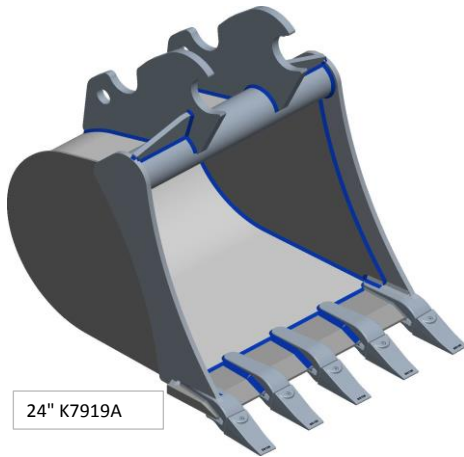
### U55-4 and KX057-4 Quick Attach Buckets



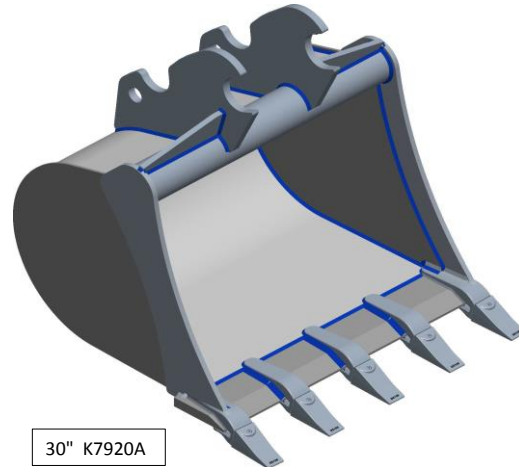
12" K7917A



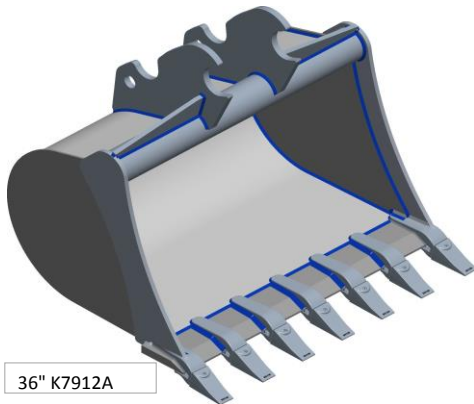
18" K7918A



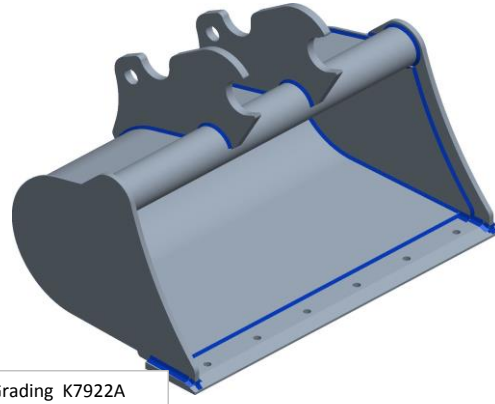
24" K7919A



30" K7920A



36" K7912A



36" Grading K7922A



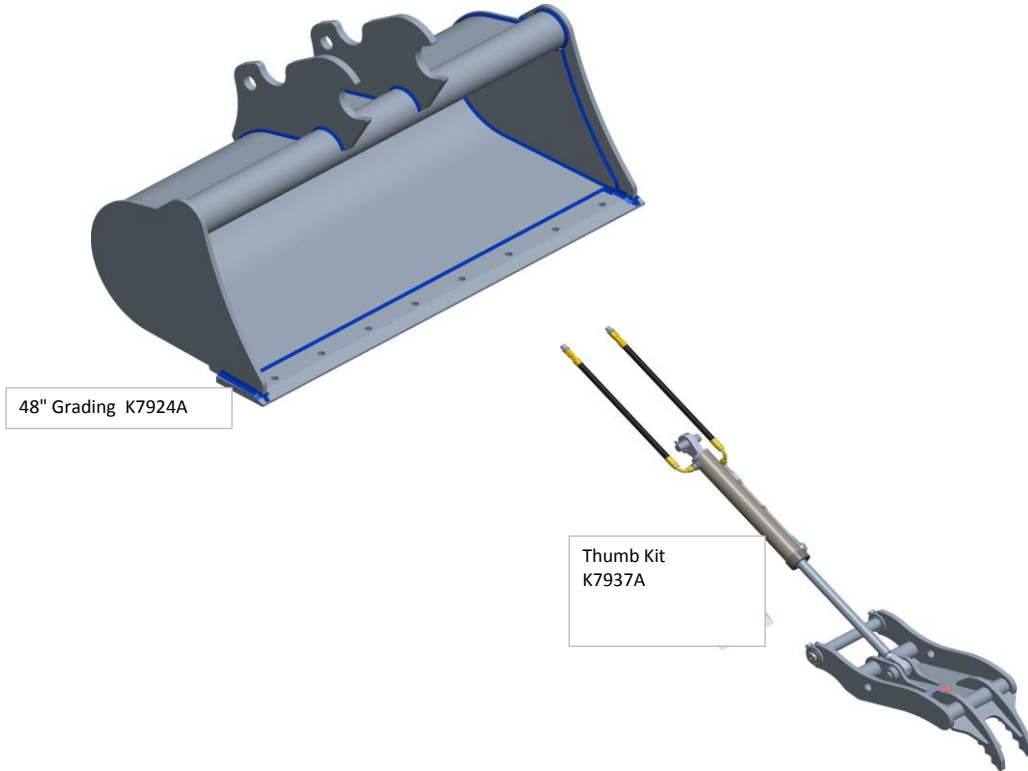
# KUBOTA

---

## K and U Series Buckets

---

U55-4, KX057-4 cont.



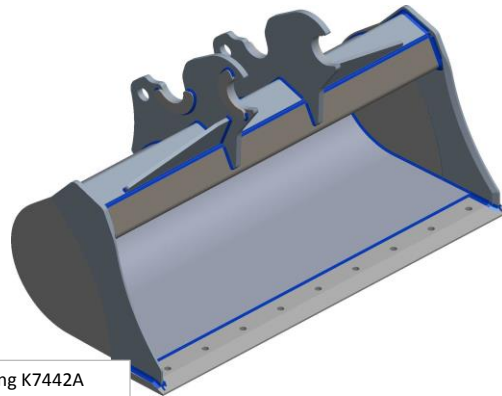
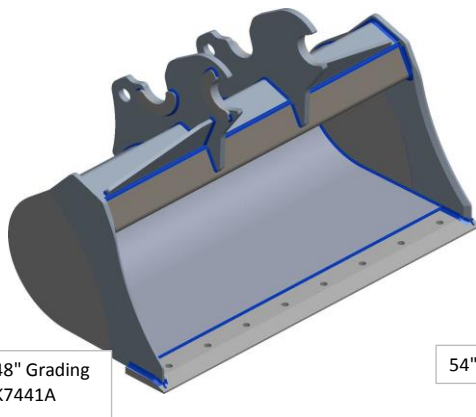
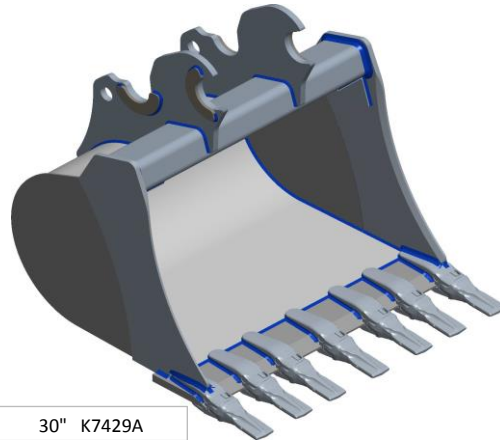
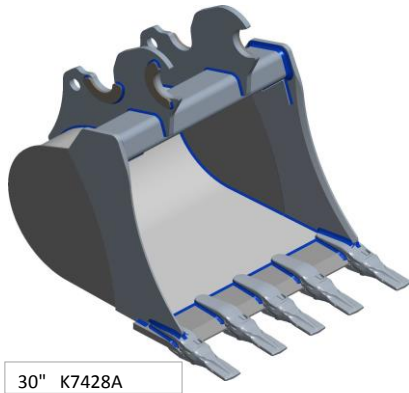
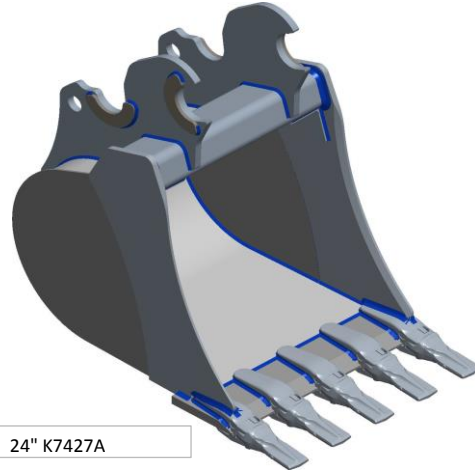
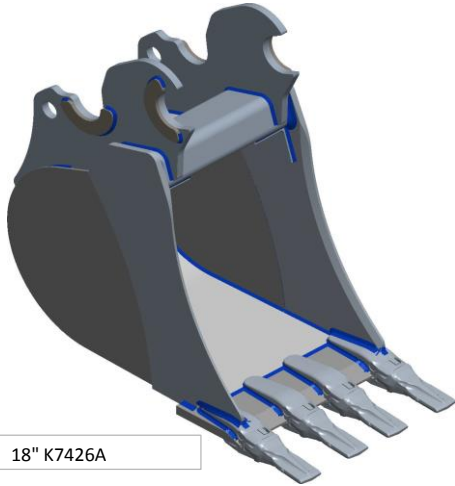
48" Grading K7924A

Thumb Kit  
K7937A

# KUBOTA

## K and U Series Buckets

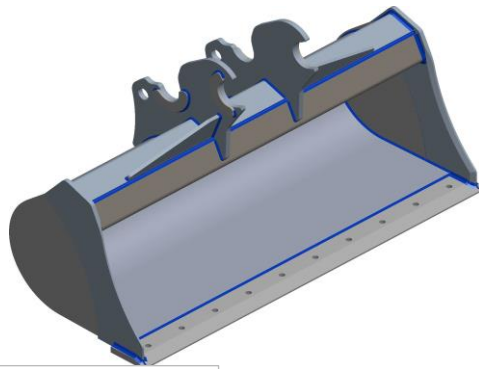
### KX080-4s Quick Attach Buckets



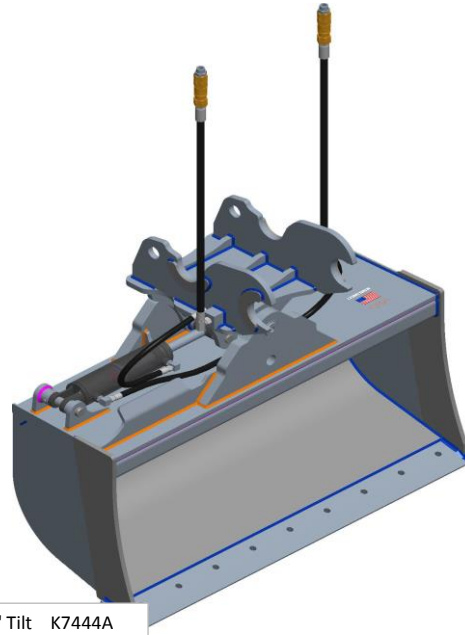
# KUBOTA

## K and U Series Buckets

KX080-4s Cont.



60" Grading K7443A



60" Tilt K7444A



Thumb  
K7905A

# KUBOTA

This page intentionally left blank.